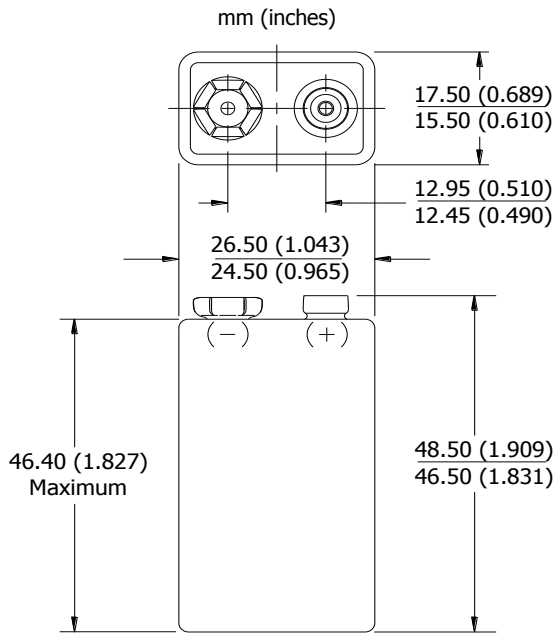


MAX PLUS EP522

9V



Industry Standard Dimensions

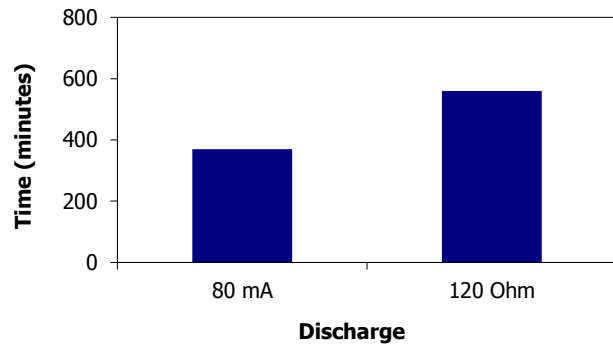


Specifications

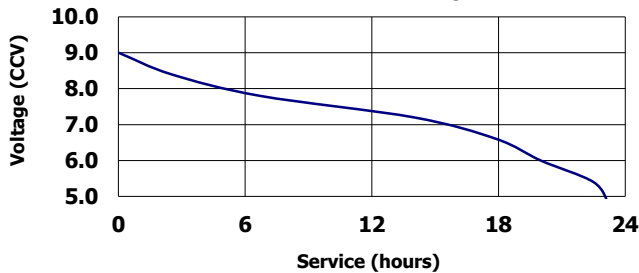
| | |
|-------------------------|--|
| Classification: | Alkaline |
| Chemical System: | Zinc-Manganese Dioxide (Zn/MnO ₂) No added mercury or cadmium |
| Designation: | IEC-6LR61 ANSI-1604A |
| Nominal Voltage: | 9.0 volts |
| Operating Temp: | -18°C to 55°C |
| Typical Weight: | 45.0 grams (1.58 oz.) |
| Typical Volume: | 21.1 cubic centimeters |
| Jacket: | Plastic |
| Shelf Life: | 5 years at 21°C |
| Terminal: | Miniature Snap |

Continuous Discharge

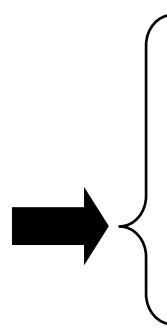
to 4.8 volts at 21°C



INDUSTRY STANDARD TOY TEST 270 ohm 1 hr/day



Battery Selection Indicator



High Drain Devices

- Toy
- Baby Monitor

Moderate Drain Devices

- Garage Opener

Low Drain Devices

- Clock Radio
- Smoke Alarm

Important Notice

This datasheet contains typical information specific to products manufactured at the time of its publication.
©Energizer Brands, LLC. - Contents herein do not constitute a warranty.