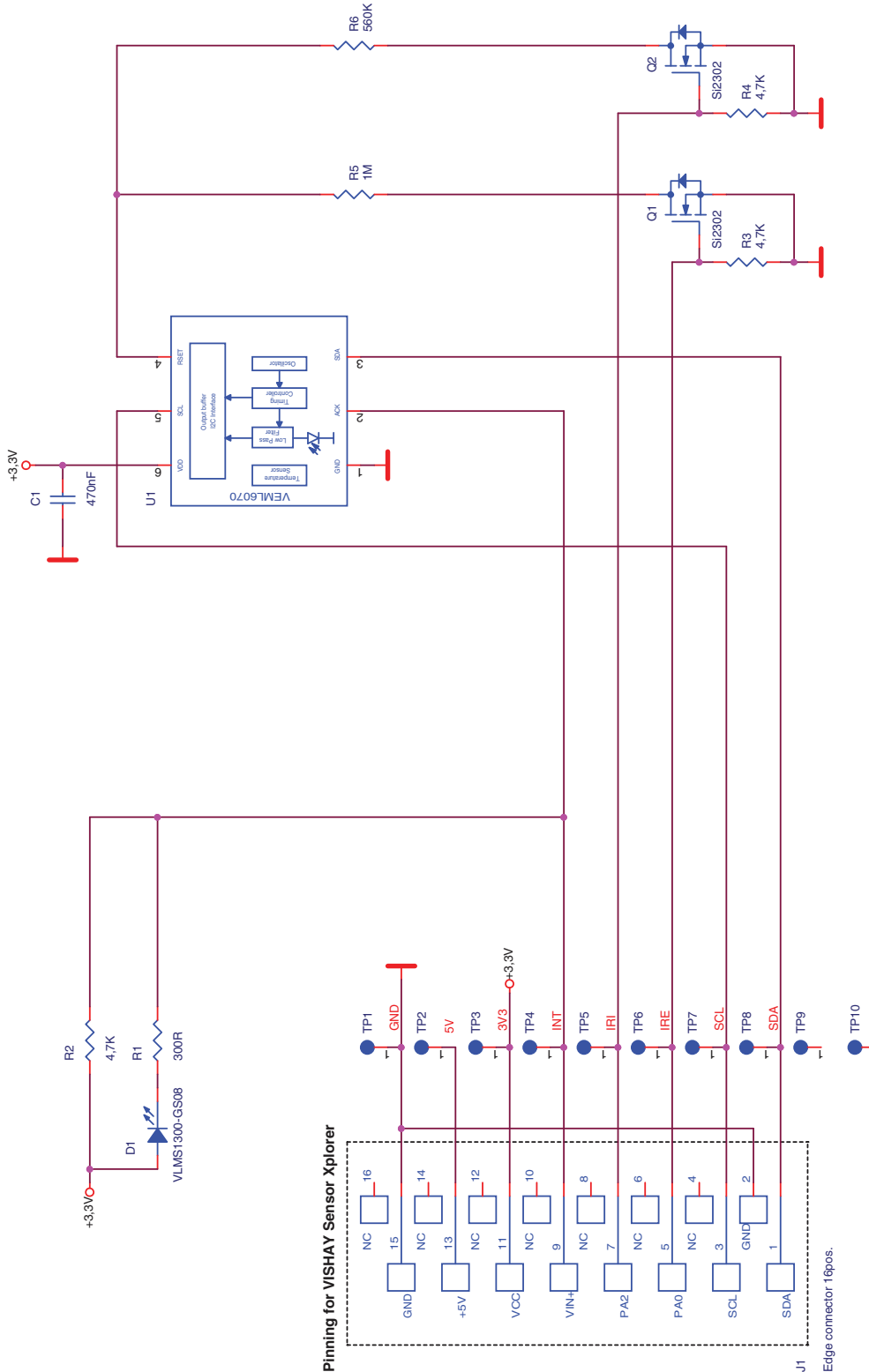
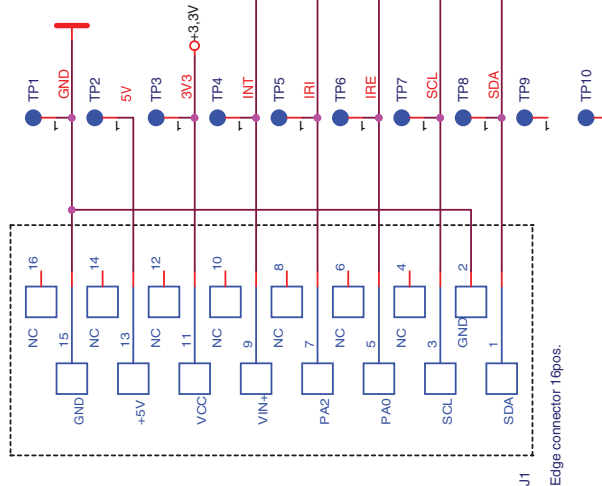


## VEML6070 Sensor Board

### SCHEMATIC



Pinning for VISHAY Sensor Explorer

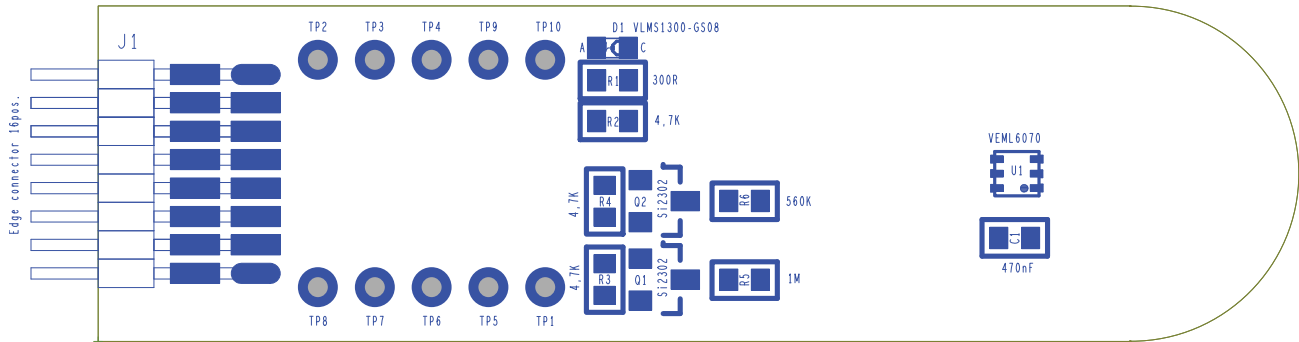


When using the VEML6070 sensor board without Vishay SensorExplorer™ an additional pullup resistor (2.4 kΩ to 10 kΩ) on SDA and SCL is necessary

IRI	IRE	R <sub>set</sub>
L or open	L or open	no R connected
L or open	H	1 MΩ
H	L or open	500 kΩ
H	H	1 MΩ    500 kΩ = 360 kΩ

## ASSEMBLY

VEML6070 sensor board, rev. 2.0



Assembly top

BILL OF MATERIALS					
ITEM	QUANTITY	REFERENCE	COMPONENT CLASS	VALUE	PACKAGE
1	1	C1	Capacitor NP	470 nF	SMC0603
2	1	D1	LED red	VLMS1300	SMD0603
3	1	R1	Resistor	300 Ω	SMR0603
4	1	R2	Resistor	4.7 kΩ	SMR0603
5	1	R3	Resistor	4.7 kΩ	SMR0603
6	1	R4	Resistor	4.7 kΩ	SMR0603
7	1	R5	Resistor	1 MΩ	SMR0603
8	1	R6	Resistor	560 kΩ	SMR0603
9	1	Q1	Transistor	Si2302	SMSOT23GSD
10	1	Q2	Transistor	Si2302	SMSOT23GSD
11	1	U1	Sensor	VEML6070	SMD
12	1	J1	Edge connector	2 x 8 pos.	SMD header strip