

1

2

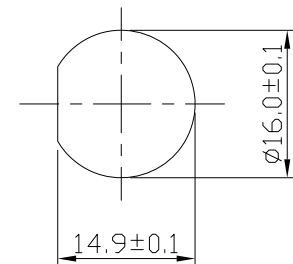
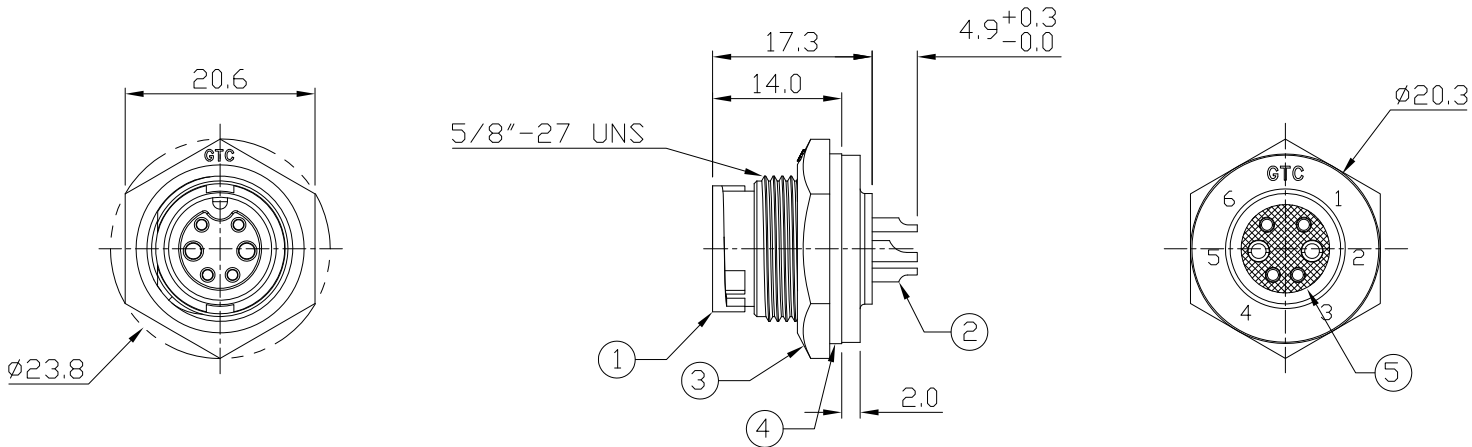
3

4

Notes: (Unless Otherwise Specified)

- 1. Waterproof Rate: IP67.
- 2. Recommend Panel Thickness: 0.8 to 4.0 mm.
- 3. Recommend Torque: 9~10 Kgf-cm.
- 4. RoHS Compliant.

REV	ECN#	DESCRIPTION OF REVISION	DRAW BY DATE	CHECK BY DATE	APPROVE BY DATE
03	ECN-160108	Modify Drawing Number GT152200-06060 -> GT1D2202-09240 <span style="border: 1px solid black; padding: 2px;">03</span>	Joyce 01/18/16	Lucas 01/18/16	Ray 01/18/16



Recommend Panel Cut-Out

Item	Part Name	Material / Finish	Q'ty
5	Glue	Epoxy Color: Black	
4	Gasket	Silicone Color: Black	1
3	Hex Nut	Thermoplastic Color: Black	1
2	Contacts	Copper Alloy Finish: Au Plated	6
1	Housing	Thermoplastic Color: Black	1

TITLE						Mating Part No.			REV.
C2 5A+10A 6P Panel Female Solder Lock						179-7932			03
	B	1:1	Joyce 03/20/12	Lucas 03/20/12	Ray 03/20/12	X.X ± 0.5 X.XX ± 0.2	X.XXX ± 0.05 ANGLES ± 1°	mm	1/1
THIRD ANGLE PROJECTION	SIZE	SCALE	DRAW / DATE	CHECK / DATE	APPROVE / DATE	TOLERANCES		UNIT	SHEET

Part No.  
179-7933  
Cap:  
179-7952



1

2

3

4