

7.6.2 Wiring examples

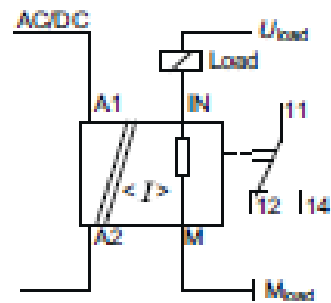
Wiring examples

Note

If this arrangement is not complied with, the monitoring relay may be destroyed and the short-circuit current may damage the plant!

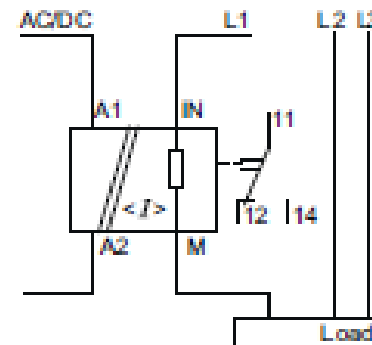
3UG46..-AW30

Single-phase operation



3UG462..-AW30 single-phase operation

Three-phase operation



3UG462..-AW30 three-phase operation