

# Accessories

## Measuring wheels



### Description

When selecting a measuring wheel the kind of material to be measured has to be taken into consideration prior to any decision on wheel surface respectively cover lining. The wheel circumference depends on the space available as well as on the size of counter or encoder. The smaller the measuring wheel, the more force required at the wheel circumference and consequently the higher the risk of slippage and incorrect measuring results. Also the width of the measuring wheel has an impact on the result.

### Technical data - Large measuring wheels

	MR512	MR542	MR552	MR562	MR592
Circumference	50 cm	50 cm	50 cm	50 cm	50 cm
Outer diameter	159.15 ±0.2 mm	159.15 ±0.2 mm	159.15 ±0.2 mm	159.15 ±0.2 mm	159.15 ±0.2 mm
Surface profile	Cross knurl	smooth	smooth	knopped rubber	knurled
Surface material	Aluminium	Hytrell TPE-E	Vulkollan PUR	Nitrile NBR	Hytrell TPE-E
Wheel material	Aluminium	Plastic	Aluminium	Aluminium	Plastic
Surface hardness, approx.	-	90° Shore A	94° Shore A	55° ±5° Shore A	90° Shore A
Operating temperature	-30...+180 °C	-10...+70 °C	-30...+80 °C	-10...+50 °C	-10...+70 °C
Fastening torque/pin	3 Nm	3 Nm	3 Nm	3 Nm	3 Nm

### Technical data - Small measuring wheels

	MR211	MR241	MR261	MR291	MR752
Circumference	20 cm	20 cm	20 cm	20 cm	30.48 cm
Outer diameter	63.66 ±0.1 mm	63.66 ±0.1 mm	63.66 ±0.1 mm	63.66 ±0.1 mm	97.02 ±0.06 mm
Surface profile	Cross knurl	smooth	knopped rubber	knurled	smooth
Surface material	Aluminium	Hytrell TPE-E	Nitrile NBR	Hytrell TPE-E	Vulkollan PUR
Wheel material	Aluminium	Plastic	Aluminium	Plastic	Aluminium
Surface hardness, approx.	-	90° Shore A	55° ±5° Shore A	90° Shore A	92° Shore A
Operating temperature	-30...+180 °C	-10...+70 °C	-10...+50 °C	-10...+70 °C	-30...+80 °C
Fastening torque/pin	1.5 Nm	1.5 Nm	1.5 Nm	1.5 Nm	1.5 Nm

### Appropriate material to be measured

Recommendend Surface	Suitable material
Hytrel grooved	Plastic, painted material, paper, Cardboard, wood, metal, textiles
Hytrel smooth	Plastic, painted material, paper, Cardboard, wood, metal, textiles
Knurled	Cardboard, wood, (textiles)
Knopped rubber	Textiles, cloth
Vulkollan smooth	Plastic, painted material, paper, Cardboard, wood, metal, wire

### Measuring accuracy

Precise measuring results of a meter counter with measuring wheel depend on:

- Kind of measured material
- Contact angle
- Torque of counter or encoder
- Feeding speed
- Strain of measured material
- Surface roughness
- Contact pressure of material against measuring wheel
- Elasticity of measured material
- Diametrical tolerance of the measuring wheel

# Accessories

## Measuring wheels

### Part number - 20 cm circumference

MR211.  **A**

| Bore  
 04 ø4 mm  
 07 ø7 mm

MR241.  **D**

| Bore  
 04 ø4 mm  
 05 ø5 mm  
 06 ø6 mm  
 07 ø7 mm  
 10 ø10 mm

### Part number - 50 cm circumference

MR512.  **A**

| Bore  
 07 ø7 mm  
 10 ø10 mm

MR542.  **D**

| Bore  
 06 ø6 mm  
 07 ø7 mm  
 10 ø10 mm  
 12 ø12 mm

MR261.  **A**

| Bore  
 04 ø4 mm  
 06 ø6 mm  
 07 ø7 mm  
 10 ø10 mm

MR291.  **D**

| Bore  
 04 ø4 mm  
 05 ø5 mm  
 06 ø6 mm  
 07 ø7 mm  
 10 ø10 mm

MR552.  **A**

| Bore  
 07 ø7 mm  
 10 ø10 mm

MR562.  **A**

| Bore  
 07 ø7 mm  
 10 ø10 mm

### Part number - 1 foot circumference

MR752.  **A**

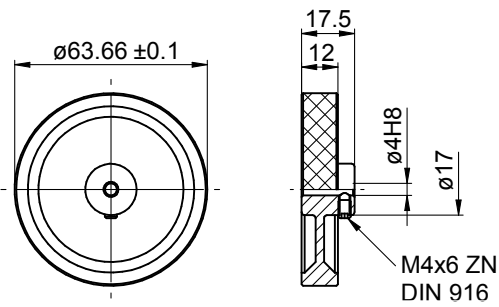
| Bore  
 04 ø4 mm  
 07 ø7 mm  
 09 ø9,52 mm  
 10 ø10 mm

MR592.  **D**

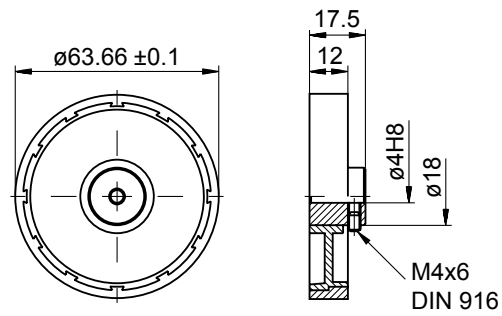
| Bore  
 06 ø6 mm  
 07 ø7 mm  
 10 ø10 mm  
 12 ø12 mm

### Dimensions

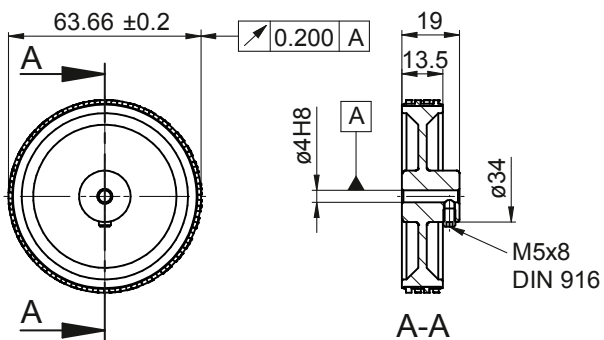
MR211



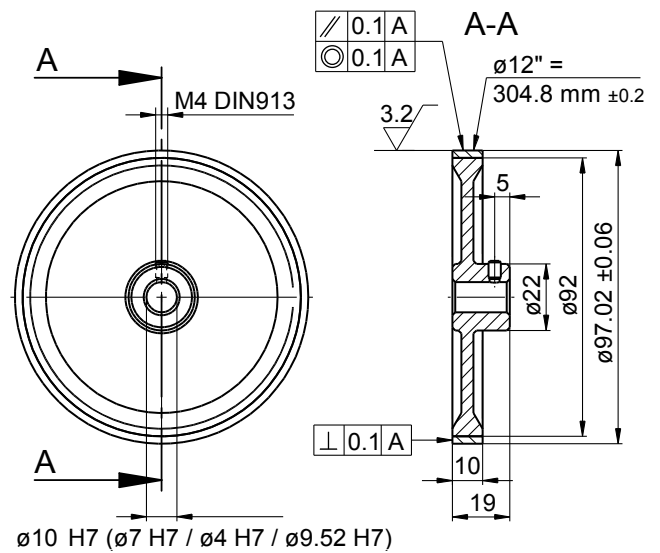
MR241, MR291



MR261



MR752

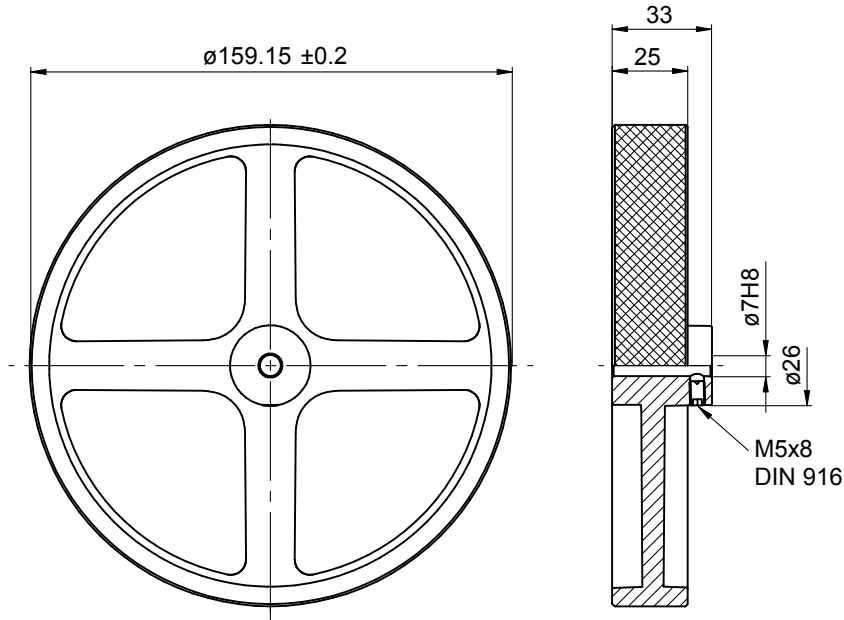


# Accessories

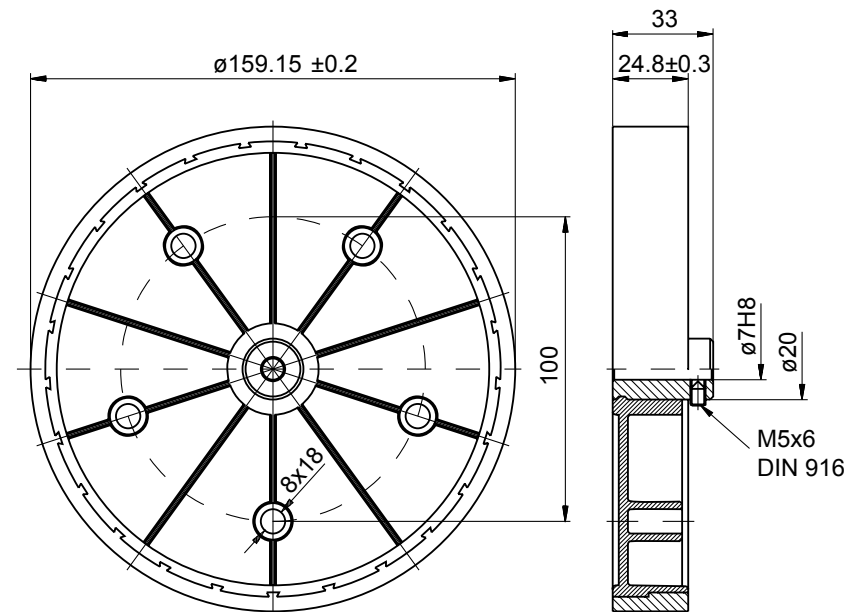
## Measuring wheels

### Dimensions

#### MR512

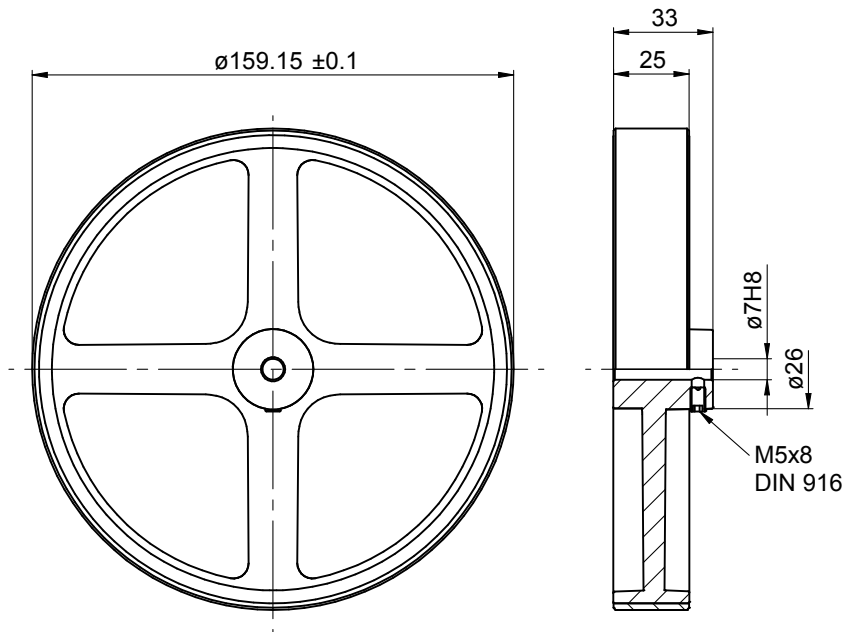


#### MR542, MR592



### Dimensions

#### MR552



#### MR562

