

**Main Features**

- Cooling adapters, hunting horn siphons, U-type siphons
- Steel and stainless steel
- Max. 400 °C
- Max. 400 bar

**Applications**

- Oil & Gas / Chemical
- Water & Waste water
- Energy
- Machinery

**Description**

Siphons are used to protect measuring instruments from high temperatures. Hunting horn and U-type siphons are especially recommended for steam applications.

Cooling adapters (ASIP-D) can also be used between diaphragm seals and measuring instruments.

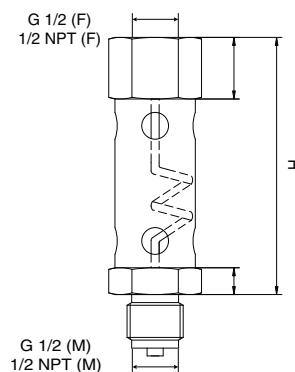
The pressure / temperature rating is according to DIN 16282 or ANSI B36.10 (schedule 40, 80 or 160).

**Maximum operating pressure**

	Max. pressure (bar)				
	Tube	80 °C	120 °C	300 °C	400 °C
<b>DIN 16282</b>	14.8 x 20	100	100	80	63
<b>Schedule 40</b>	9 x 12	250	160	100	80
<b>Schedule 80</b>	13.9 x 21	300	300	160	100
<b>Schedule 160</b>	11.8 x 21	400	400	250	160

**Cooling adapters**

		-	x	x	xx
<b>Model</b>	Siphon	ASIP			
<b>Type of siphon</b>	Cooling adapter		D		
<b>Max. temperature</b>	Max. 220 °C			1	
	Max. 400 °C			2	
<b>Connections</b>	G 1/2 (M) - G 1/2 (F)				L3
	1/2 NPT (M) - 1/2 NPT (F)				N6

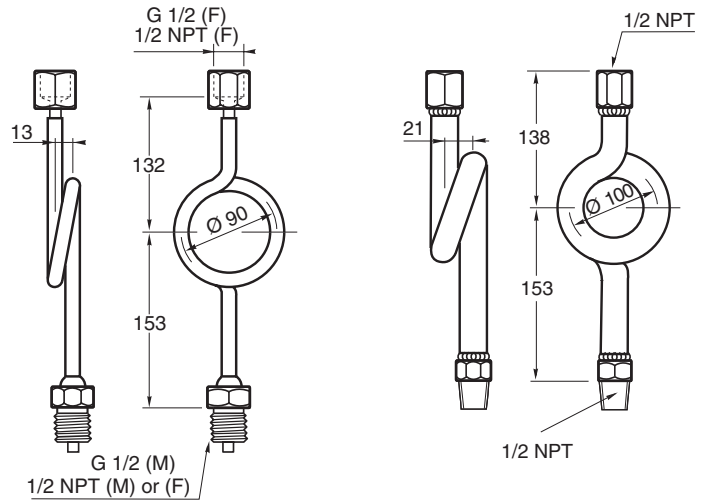


Version	Material	Instrument connection	Process connection	Ordering code	Article number
<b>Max. 220 °C</b>	Stainless steel 1.4404 (316L) / 1.4571 (316Ti)	G 1/2 (F)	G 1/2 (M)	ASIP-D1L3	10265212
		1/2 NPT (F)	1/2 NPT (M)	ASIP-D1N6	10265213
<b>Max. 400 °C</b>		G 1/2 (F)	G 1/2 (M)	ASIP-D2L3	10265215
		1/2 NPT (F)	1/2 NPT (M)	ASIP-D2N6	10265216

**Hunting horn siphons**

**Baumer standard**

	-	x	xx	x	xx
<b>Model</b>					
Siphon	ASIP				
<b>Material</b>					
Stainless steel 1.4404 (316L)		2			
<b>Instrument connection</b>					
G 1/2 Swiveling nut			F5		
G 1/2 fixed female thread			0L		
1/2 NPT fixed female thread			0N		
G 1/2 fixed male thread			03		
1/2 NPT fixed male thread			06		
<b>Process connection</b>					
G 1/2 fixed female thread			L		
1/2 NPT fixed female thread			N		
G 1/2 fixed male thread			3		
1/2 NPT fixed male thread			6		
<b>Pressure rating</b>					
Schedule 40				04	
Schedule 80				08	
Schedule 160				16	

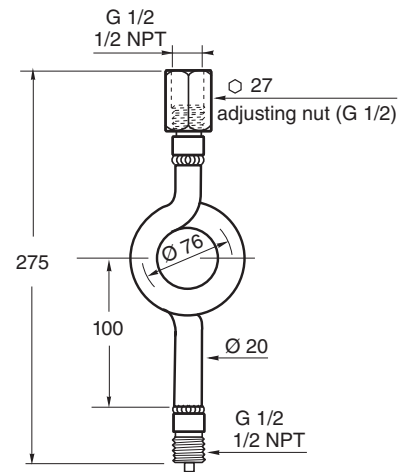


**Schedule 40, 80**

**Schedule 160**

**DIN 16282**

	-	x	xx	x	xx
<b>Model</b>					
Siphon	ASIP				
<b>Material</b>					
Steel 1.0345		1			
<b>Instrument connection</b>					
G 1/2 Adjusting nut			F7		
1/2 NPT fixed female thread			0N		
<b>Process connection</b>					
G 1/2 fixed male thread				3	
1/2 NPT fixed male thread				6	
<b>Pressure rating</b>					
DIN 16282				0A	

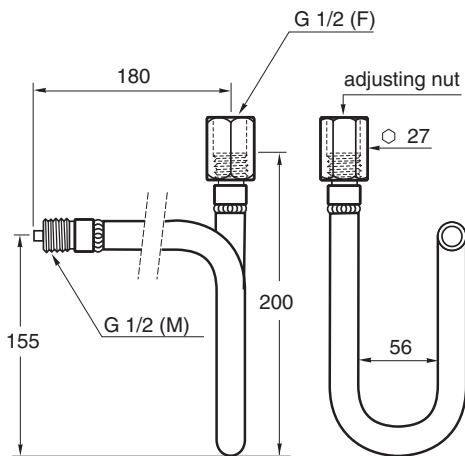


Version	Material	Instrument connection	Process connection	Ordering code	Article number
<b>Schedule 40</b>	Stainless steel 1.4404 (316L)	G 1/2 (F) <sup>(1)</sup>	G 1/2 (M)	ASIP-2F5304	11012634
		1/2 NPT (F)	1/2 NPT (M)	ASIP-20N604	10265202
		1/2 NPT (M)	1/2 NPT (M)	ASIP-206604	10265192
		1/2 NPT (F)	1/2 NPT (F)	ASIP-20NN04	10265206
<b>Schedule 80</b>		1/2 NPT (F)	1/2 NPT (M)	ASIP-20N608	10265203
		1/2 NPT (M)	1/2 NPT (M)	ASIP-206608	10265193
<b>Schedule 160</b>		1/2 NPT (F)	1/2 NPT (M)	ASIP-20N616	10265205
		1/2 NPT (M)	1/2 NPT (M)	ASIP-206616	11124946
<b>DIN 16282, type C</b>	Steel 1.0345	G 1/2 (F) <sup>(2)</sup>	G 1/2 (M)	ASIP-1F730A	10265188
		1/2 NPT (F)	1/2 NPT (M)	ASIP-10N60A	10265186

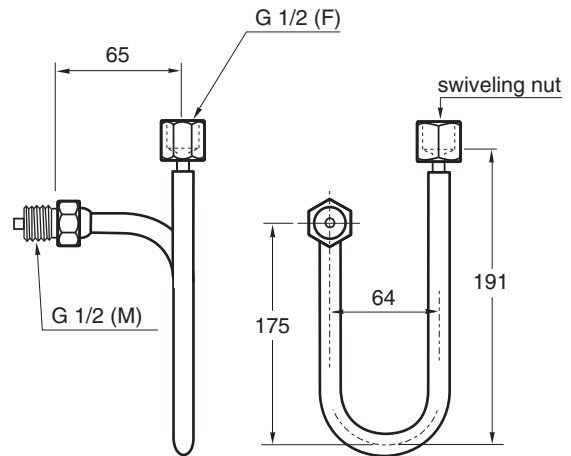
<sup>(1)</sup> Swiveling nut  
<sup>(2)</sup> Adjusting nut

**U-Type siphons**

	-	x	x
<b>Model</b>	ASIP		
<b>Type of siphon</b>	U		
<b>Version</b>			
DIN 16282, G 1/2 (F) - G 1/2 (M)	1		
Schedule 40, Stainless steel, G 1/2 (F) - G 1/2 (M)	2		



**DIN 16282**



**Schedule 40**

Version	Material	Instrument connection	Process connection	Ordering code	Article number
<b>DIN 16282, type C</b>	Steel 1.0345	G 1/2 (F) <sup>(1)</sup>	G 1/2 (M)	ASIP-U1	10265217
<b>Schedule 40</b>	Stainless steel 1.4404 (316L)	G 1/2 (F) <sup>(2)</sup>	G 1/2 (M)	ASIP-U2	10265218

<sup>(1)</sup> Adjusting nut  
<sup>(2)</sup> Swiveling nut