


Aurora Bearing Company

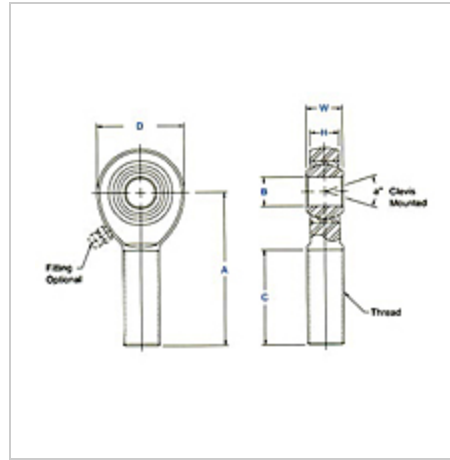
901 Aucutt Rd.

Montgomery, IL 60538

Phone: 630.859.2030 • **Fax:** 630.859.0971

Email: customersupport@aurorabearing.com • **Website:** www.aurorabearing.com
Item # XB-10, XM & XB Series Male Rod Ends, Extra Strength - Heavy Duty Shank (PTFE Liners Available)

- Body - Low carbon steel protective coated for corrosion resistance.
- Ball - Alloy steel, heat treated, hard chrome plated.
- Race - Alloy steel, heat treated protective coated for corrosion resistance. (Low carbon steel with PTFE liners).
- All sizes solid shank type.
- Grease Fitting available for all sizes. Units are supplied without grease fittings. When a grease fitting is required, specify by adding suffix "Z" or "F". Ex.: XM-6Z = Zerk Type Fitting XM-6F = Flush Type Fitting.
- Load ratings apply


[+ more](#)
[Specifications](#) | [XM & XB Note](#)

Specifications

Thread Type	Left Hand
Thread Configuration	Male
B - Ball Bore	.6250 in
W - Ball Width	.750 in
H - Head Width	.562 in
A - Base to Center	2.875 in
D - Head Diameter	1.750 in
Ball Diameter	1.125 in
C - Thread Length	1.750 in
Thread Size	3/4-16

Thread Class	UNF-3A-LH
---------------------	-----------

a - Misalignment Angle Clevis Mounted	13 °
--	------

Ultimate Radial Static Load Capacity	16,565 lbs
---	------------

Approximate Brg. Weight	0.60 lb
--------------------------------	---------

Options	Stud
----------------	------

Type of Lubrication	None
----------------------------	------

XM & XB Note

For dimensional tolerances of listed features, see the PDF version of the catalog under the "View Product Catalogs" tab from the home page.