

D-SUB sleeve housings - VS-09-T-2M16 - 1688353

Please be informed that the data shown in this PDF Document is generated from our Online Catalog. Please find the complete data in the user's documentation. Our General Terms of Use for Downloads are valid (<http://phoenixcontact.com/download>)




D-SUB sleeve housings, degree of protection: IP67, material: PA, cable outlet: Angled, size of housing: 1, color: gray

Your advantages

- IP67 protection class
- Two cable outlets ideal for hybrid applications



Key Commercial Data

| | |
|--------------------------------------|---|
| Packing unit | 5 pc |
| Minimum order quantity | 5 pc |
| GTIN |  4 017918 817503 |
| GTIN | 4017918817503 |
| Weight per Piece (excluding packing) | 39.200 g |
| Custom tariff number | 85472000 |
| Country of origin | Germany |
| Note | Made to Order (non-returnable) |

Technical data

Mechanical characteristics

| | |
|------------------------------|---------------|
| Insertion/withdrawal cycles | ≥ 1000 |
| External cable diameter | 3 mm ... 9 mm |
| Cable outlet | Angled |
| Color | gray |
| Degree of protection | IP67 |
| Type | D-SUB 9 |
| Size of housing | 1 |
| No. of cable outlets | 2 |
| Type of the screw connection | M16 |

D-SUB sleeve housings - VS-09-T-2M16 - 1688353

Technical data

Ambient conditions

| | |
|---------------------------------|------------------------|
| Ambient temperature (operation) | -40 °C ... 80 °C |
| Degree of protection | IP67 (when plugged in) |

Material data

| | |
|--|-------|
| Flammability rating according to UL 94 | V0 |
| Housing material | PA |
| Height | 24 mm |

Electrical characteristics

| | |
|---------------------|---|
| Degree of pollution | 2 |
|---------------------|---|

Standards and Regulations

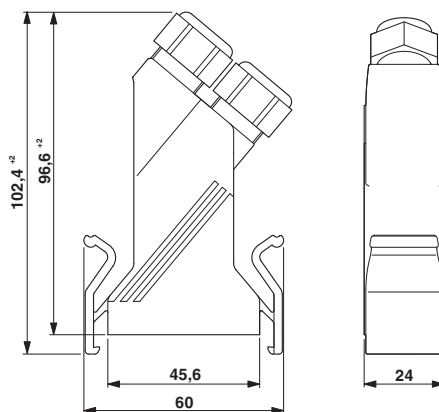
| | |
|--|----|
| Flammability rating according to UL 94 | V0 |
|--|----|

Environmental Product Compliance

| | |
|------------|---|
| China RoHS | Environmentally friendly use period: unlimited = EFUP-e |
| | No hazardous substances above threshold values |

Drawings

Dimensional drawing



D-SUB sleeve housings

Classifications

eCl@ss

| | |
|------------|----------|
| eCl@ss 4.0 | 27140816 |
| eCl@ss 4.1 | 27260701 |
| eCl@ss 5.0 | 27260701 |
| eCl@ss 5.1 | 27261200 |
| eCl@ss 6.0 | 27261200 |

D-SUB sleeve housings - VS-09-T-2M16 - 1688353

Classifications

eCl@ss

| | |
|------------|----------|
| eCl@ss 7.0 | 27440202 |
| eCl@ss 8.0 | 27440202 |
| eCl@ss 9.0 | 27440202 |

ETIM

| | |
|----------|----------|
| ETIM 2.0 | EC000437 |
| ETIM 3.0 | EC000437 |
| ETIM 4.0 | EC000437 |
| ETIM 5.0 | EC000437 |
| ETIM 6.0 | EC000437 |

UNSPSC

| | |
|---------------|----------|
| UNSPSC 6.01 | 31261501 |
| UNSPSC 7.0901 | 31261501 |
| UNSPSC 11 | 31261501 |
| UNSPSC 12.01 | 31261501 |
| UNSPSC 13.2 | 31261501 |

Approvals

Approvals

Approvals

EAC

Ex Approvals

Approval details

| | | |
|-----|--|---------|
| EAC | | B.01742 |
|-----|--|---------|

Accessories

Accessories

Coding element

D-SUB sleeve housings - VS-09-T-2M16 - 1688353

Accessories

Coding profile - CP-HCC 4 - 1600027

Coding profile, pitch: 0 mm, number of positions: 1, color: red



Data plug

D-SUB EMC inner sleeve - VS-09-TI-2EMV - 1688476



D-SUB EMC inner sleeve, for sleeve housing VS-09-..., shell size 1, shielded

Device marking

Zack marker strip - ZBN 18:UNBEDRUCKT - 2809128



Zack marker strip, Strip, white, unlabeled, can be labeled with: CMS-P1-PLOTTER, PLOTMARK, mounting type: snap into tall marker groove, for terminal block width: 18 mm, lettering field size: 18 x 5 mm

Pressure nut

D-SUB pressure nut - VS-M16 (3-6) - 1688450



D-SUB cap nut with line seal, for sleeve housing VS-09-..., conductor diameter of 3 mm ... 6 mm

D-SUB pressure nut - VS-M16 (5-9) - 1688447



D-SUB cap nut with line seal, for sleeve housing VS-09-..., conductor diameter of 5 mm ... 9 mm

Protective cap

D-SUB sleeve housings - VS-09-T-2M16 - 1688353

Accessories

Filler plugs - Q-PROT 9/11 - 1670235



Closing cap for Pg9/Pg11 to close unoccupied connections

Phoenix Contact 2019 © - all rights reserved
<http://www.phoenixcontact.com>