

Single nut with flange FEM-E-C

Mounting dimensions similar to
DIN 69051, Part 5

Flange type C

(flange type B available. See ordering
code p. 22)

With seals

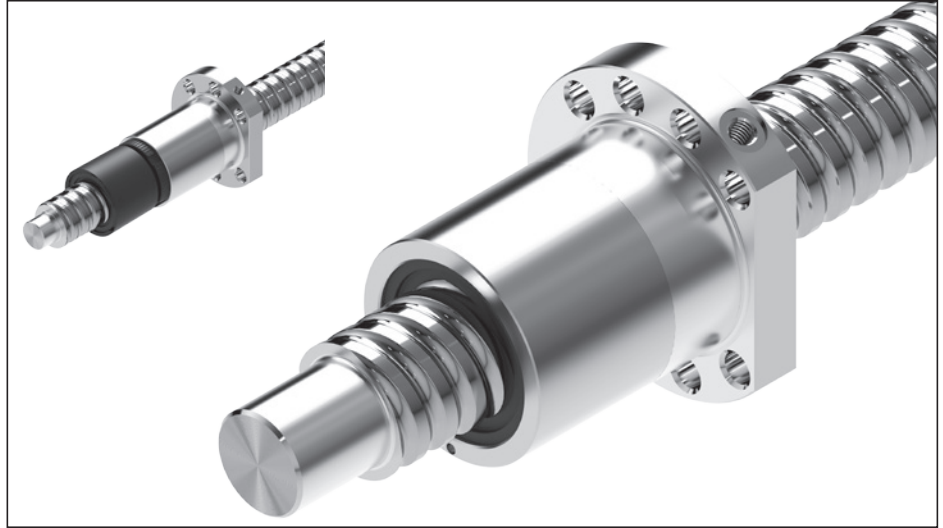
With left-hand version in some cases

Preload class: C0, C00, C1, C2, C3

Tolerance grade: T3²⁾, T5, T7, T9

Note: The front lube unit is only available
for the right-hand version.

⚠ When setting up applications, do
not allow components to collide with the
front lube unit.



Ordering data:

BASA	20 x 5R x 3	FEM-E-C - 4	00	1	2	T7	R	82Z120	41Z120	1250	0	1
------	-------------	-------------	----	---	---	----	---	--------	--------	------	---	---

d_0 = nominal diameter
 P = lead (R = right-hand, L = left-hand)
 D_w = ball diameter
 i = number of ball track turns

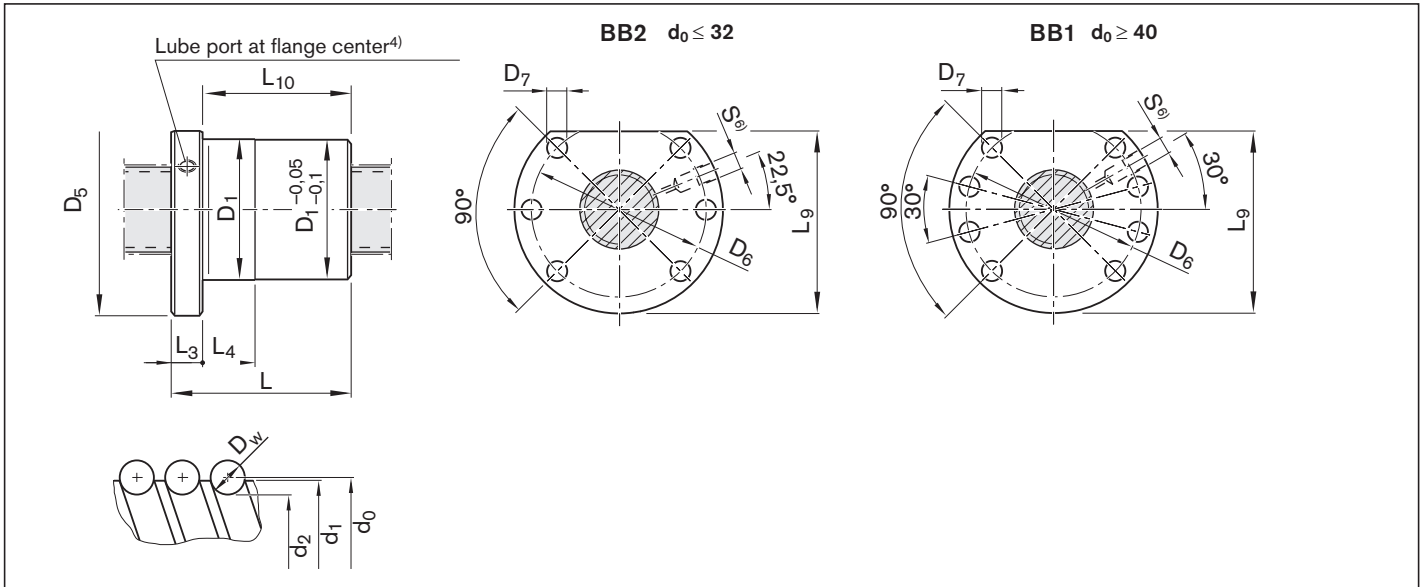
Category	Size $d_0 \times P \times D_w - i$	Part number	Load ratings ³⁾		Linear speed ¹⁾	
			dyn. C (N)	stat. C ₀ (N)	v_{max} (m/min)	
A	16 x 5R x 3 - 4	R1502 010 65	14,800	16,100		30
A	16 x 10R x 3 - 3	R1502 040 85	11,500	12,300		60
A	16 x 16R x 3 - 3	R1502 060 65	11,200	12,000		96
A	20 x 5R x 3 - 4	R1502 110 85	17,200	21,500		30
A	20 x 10R x 3 - 4	R1502 140 65	16,900	21,300		60
A	20 x 20R x 3.5 - 3	R1502 170 65	16,000	18,800		120
A	25 x 5R x 3 - 4	R1502 210 85	19,100	27,200		30
A	25 x 10R x 3 - 4	R1502 240 85	18,800	27,000		60
A	25 x 25R x 3.5 - 3	R1502 280 65	17,600	23,300		150
A	32 x 5R x 3.5 - 4	R1502 310 85	25,900	40,000		23
A	32 x 10R x 3.969 - 5	R1502 340 86	38,000	58,300		47
A	32 x 20R x 3.969 - 3	R1502 370 65	23,600	33,700		94
A	32 x 32R x 3.969 - 3	R1502 390 65	23,400	34,000		150
A	40 x 5R x 3.5 - 5	R1502 410 86	34,900	64,100		19
A	40 x 10R x 6 - 4	R1502 440 85	60,000	86,400		38
B	40 x 10R x 6 - 6	R1502 440 86	86,500	132,200		38
C	40 x 12R x 6 - 4	R1502 450 65	59,900	86,200		45
C	40 x 16R x 6 - 4	R1502 460 65	59,600	85,900		60
A	40 x 20R x 6 - 3	R1502 470 85	45,500	62,800		75
A	40 x 40R x 6 - 3	R1502 490 65	44,400	62,300		150
B	50 x 5R x 3.5 - 5	R1502 510 86	38,400	81,300		15
B	50 x 10R x 6 - 6	R1502 540 86	95,600	166,500		30
C	50 x 12R x 6 - 6	R1502 550 66	95,500	166,400		36
C	50 x 16R x 6 - 6	R1502 560 66	95,300	166,000		48
B	50 x 20R x 6.5 - 5	R1502 570 86	90,800	149,700		60
B	50 x 40R x 6.5 - 3	R1502 590 65	55,800	85,900		120
B	63 x 10R x 6 - 6	R1502 640 86	106,600	214,300		24
B	63 x 20R x 6.5 - 5	R1502 670 86	100,700	190,300		48
B	63 x 40R x 6.5 - 3	R1502 690 65	64,100	114,100		95
C	80 x 10R x 6.5 - 6	R1502 740 86	130,100	291,700		19
C	80 x 20R x 12.7 - 6	R1502 770 96	315,200	534,200		30
Versions with left-hand lead						
B	16 x 5L x 3 - 4	R1552 010 65	14,800	16,100		30
B	20 x 5L x 3 - 4	R1552 110 85	17,200	21,500		30
B	25 x 5L x 3 - 4	R1552 210 85	19,100	27,200		30
B	32 x 5L x 3.5 - 4	R1552 310 65	25,900	40,000		23
B	40 x 5L x 3.5 - 5	R1552 410 66	34,900	64,100		19
B	40 x 10L x 6 - 4	R1552 440 65	60,000	86,400		38

1) See "Characteristic speed $d_0 \cdot n$ " on page 141 and "Critical speed n_{cr} " on page 176

2) Tolerance grade T3 for sizes shown in table page 12

3) The load ratings are valid for tolerance grade T3 and T5 only.

For other tolerance grades, please take into account the correction factor f_{ac} on page 141.



4) Lube port machining: flat surface $L_3 \leq 15$ mm, countersink $L_3 > 15$ mm;

Size $d_0 \times P \times D_w - i$	(mm)													Mass m (kg)
	d_1	d_2	D_1 g6	D_5	Hole pattern	D_6	D_7	L	L_3	L_4	$L_9^{5)}$	L_{10}	$S^4)$	
16 x 5R x 3 - 4	15	12.9	28	48	BB2	38	5.5	38	12	10	44.0	26	M6	0.19
16 x 10R x 3 - 3	15	12.9	28	48	BB2	38	5.5	45	12	16	44.0	33	M6	0.21
16 x 16R x 3 - 3	15	12.9	28	48	BB2	38	5.5	61	12	20	44.0	49	M6	0.26
20 x 5R x 3 - 4	19	16.9	36	58	BB2	47	6.6	40	12	10	51.0	28	M6	0.31
20 x 10R x 3 - 4	19	16.9	36	58	BB2	47	6.6	60	12	16	51.0	48	M6	0.40
20 x 20R x 3.5 - 3	19	16.7	36	58	BB2	47	6.6	77	12	25	51.0	65	M6	0.49
25 x 5R x 3 - 4	24	21.9	40	62	BB2	51	6.6	45	12	10	55.0	33	M6	0.36
25 x 10R x 3 - 4	24	21.9	40	62	BB2	51	6.6	64	12	16	55.0	52	M6	0.47
25 x 25R x 3.5 - 3	24	21.4	40	62	BB2	51	6.6	95	12	30	55.0	83	M6	0.63
32 x 5R x 3.5 - 4	31	28.4	50	80	BB2	65	9.0	48	13	10	71.0	35	M6	0.62
32 x 10R x 3.969 - 5	31	27.9	50	80	BB2	65	9.0	77	13	16	71.0	64	M6	0.84
32 x 20R x 3.969 - 3	31	27.9	50	80	BB2	65	9.0	84	13	25	71.0	71	M6	0.90
32 x 32R x 3.969 - 3	31	27.9	50	80	BB2	65	9.0	120	13	40	71.0	107	M6	1.21
40 x 5R x 3.5 - 5	39	36.4	63	93	BB1	78	9.0	54	15	10	81.5	39	M8x1	1.03
40 x 10R x 6 - 4	38	33.8	63	93	BB1	78	9.0	70	15	16	81.5	55	M8x1	1.19
40 x 10R x 6 - 6	38	33.8	63	93	BB1	78	9.0	90	15	16	81.5	75	M8x1	1.49
40 x 12R x 6 - 4	38	33.8	63	93	BB1	78	9.0	75	15	25	81.5	60	M8x1	1.27
40 x 16R x 6 - 4	38	33.8	63	93	BB1	78	9.0	90	15	25	81.5	75	M8x1	1.51
40 x 20R x 6 - 3	38	33.8	63	93	BB1	78	9.0	88	15	25	81.5	73	M8x1	1.44
40 x 40R x 6 - 3	38	33.8	63	93	BB1	78	9.0	142	15	45	81.5	127	M8x1	2.16
50 x 5R x 3.5 - 5	49	46.4	75	110	BB1	93	11.0	54	15	10	97.5	39	M8x1	1.39
50 x 10R x 6 - 6	48	43.8	75	110	BB1	93	11.0	90	18	16	97.5	72	M8x1	2.14
50 x 12R x 6 - 6	48	43.8	75	110	BB1	93	11.0	105	18	25	97.5	87	M8x1	2.38
50 x 16R x 6 - 6	48	43.8	75	110	BB1	93	11.0	128	18	25	97.5	110	M8x1	2.75
50 x 20R x 6.5 - 5	48	43.4	75	110	BB1	93	11.0	132	18	25	97.5	114	M8x1	2.73
50 x 40R x 6.5 - 3	48	43.4	75	110	BB1	93	11.0	149	18	45	97.5	131	M8x1	3.04
63 x 10R x 6 - 6	61	56.8	90	125	BB1	108	11.0	90	22	16	110.0	68	M8x1	2.56
63 x 20R x 6.5 - 5	61	56.4	95	135	BB1	115	13.5	132	22	25	117.5	110	M8x1	4.51
63 x 40R x 6.5 - 3	61	56.4	95	135	BB1	115	13.5	149	22	45	117.5	127	M8x1	5.04
80 x 10R x 6.5 - 6	78	73.3	105	145	BB1	125	13.5	95	22	16	127.5	73	M8x1	3.40
80 x 20R x 12.7 - 6	76	67.0	125	165	BB1	145	13.5	170	25	25	147.5	145	M8x1	10.2
Versions with left-hand lead														
16 x 5L x 3 - 4	15	12.9	28	48	BB2	38	5.5	38	12	10	44.0	26	M6	0.19
20 x 5L x 3 - 4	19	16.9	36	58	BB2	47	6.6	40	12	10	51.0	28	M6	0.31
25 x 5L x 3 - 4	24	21.9	40	62	BB2	51	6.6	45	12	10	55.0	33	M6	0.36
32 x 5L x 3.5 - 4	31	28.4	50	80	BB2	65	9.0	48	13	10	71.0	35	M6	0.62
40 x 5L x 3.5 - 5	39	36.4	63	93	BB1	78	9.0	54	15	10	81.5	39	M8x1	1.03
40 x 10L x 6 - 4	38	33.8	63	93	BB1	78	9.0	70	15	16	81.5	55	M8x1	1.19

5) Flange type B (two flat surfaces) option available!

6) With left-hand lead the lube port position mirrors its position with right-hand lead!