

# Spielfrei einstellbare Einzelmutter SEM-E-S

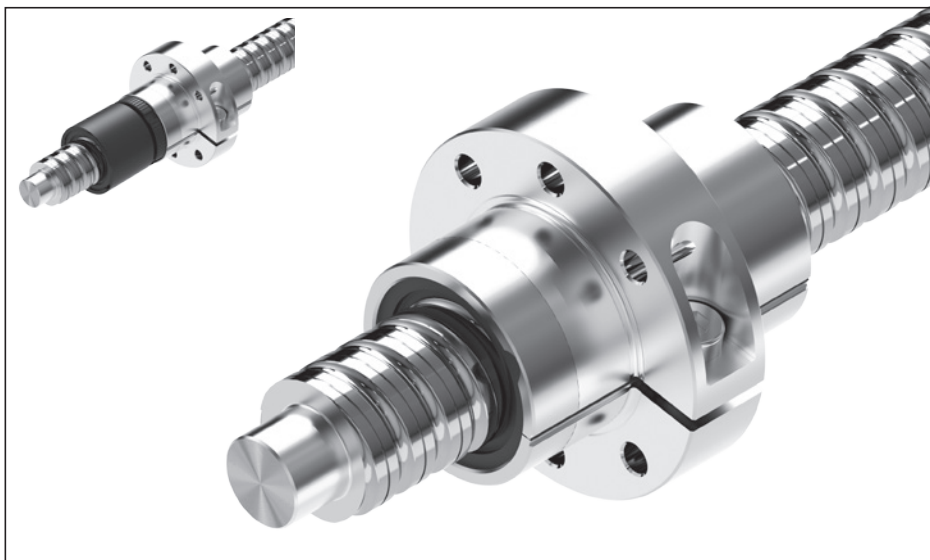
## Rexroth-Anschlussmaße

Mit Dichtungen  
Teilweise in Linksausführung  
Vorspannung einstellbar  
Toleranzklasse T3<sup>2</sup>, T5, T7

**Hinweis:** Die Vorsatzschmiereinheit ist nur für die Rechtsausführung verfügbar.

**⚠ Beim Einrichten nicht gegen die Vorsatzschmiereinheit fahren.**

$d_0$  = Nenndurchmesser  
P = Steigung (R = rechts, L = links)  
 $D_w$  = Kugeldurchmesser  
i = Anzahl der Umläufe

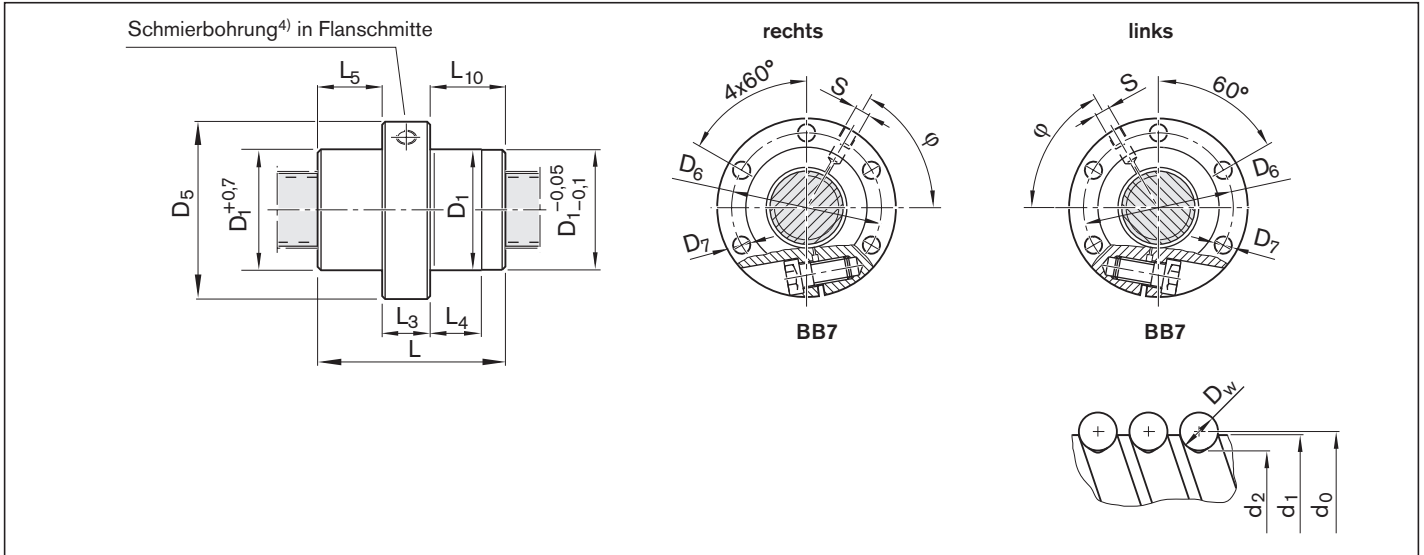


Bestellangaben:

|      |             |             |    |   |   |    |   |        |        |      |   |   |
|------|-------------|-------------|----|---|---|----|---|--------|--------|------|---|---|
| BASA | 20 x 5R x 3 | SEM-E-S - 4 | 00 | 1 | 2 | T7 | R | 82Z120 | 41Z120 | 1250 | 0 | 1 |
|------|-------------|-------------|----|---|---|----|---|--------|--------|------|---|---|

| Kategorie                            | Größe<br>$d_0 \times P \times D_w - i$ | Materialnummer | Tragzahlen <sup>3)</sup><br>dyn. C<br>(N) | stat. C <sub>0</sub><br>(N) | Geschwindigkeit <sup>1)</sup><br>$v_{max}$<br>(m/min) | Zentrierdurchmesser D <sub>1</sub><br>nach dem Einstellen |           |
|--------------------------------------|--|----------------|---|-----------------------------|---|---|-----------|
|                                      |  |                |   |                             |   | min. (mm)   | max. (mm) |
| B                                    | 16 x 5R x 3 - 4                        | R1512 010 24   | 14 800                                    | 16 100                      | 30  | 27,940  | 27,975    |
| B                                    | 16 x 10R x 3 - 3                       | R1512 040 14   | 11 500                                    | 12 300                      | 60  | 27,940  | 27,975    |
| B                                    | 16 x 16R x 3 - 2                       | R1512 060 14   | 7 560                                     | 7 600                       | 96  | 32,945  | 32,973    |
| B                                    | 20 x 5R x 3 - 4                        | R1512 110 14   | 17 200                                    | 21 500                      | 30  | 32,935  | 32,970    |
| B                                    | 20 x 20R x 3,5 - 2                     | R1512 170 14   | 10 900                                    | 12 100                      | 120   | 37,945  | 37,973    |
| B                                    | 25 x 5R x 3 - 4                        | R1512 210 14   | 19 100                                    | 27 200                      | 30  | 37,935  | 37,970    |
| B                                    | 25 x 10R x 3 - 4                       | R1512 240 14   | 18 800                                    | 27 000                      | 60  | 37,935  | 37,970    |
| B                                    | 25 x 25R x 3,5 - 2                     | R1512 280 14   | 12 100                                    | 15 100                      | 150   | 47,945  | 47,973    |
| B                                    | 32 x 5R x 3,5 - 4                      | R1512 310 14   | 25 900                                    | 40 000                      | 23  | 47,935  | 47,970    |
| B                                    | 32 x 10R x 3,969 - 5                   | R1512 340 14   | 38 000                                    | 58 300                      | 47  | 47,935  | 47,970    |
| B                                    | 32 x 20R x 3,969 - 2                   | R1512 370 14   | 16 200                                    | 21 800                      | 94  | 55,941  | 55,969    |
| B                                    | 32 x 32R x 3,969 - 2                   | R1512 390 14   | 16 100                                    | 22 000                      | 150   | 55,941  | 55,969    |
| B                                    | 40 x 5R x 3,5 - 5                      | R1512 410 14   | 34 900                                    | 64 100                      | 19  | 55,931  | 55,966    |
| B                                    | 40 x 10R x 6 - 4                       | R1512 440 14   | 60 000                                    | 86 400                      | 38  | 62,931  | 62,966    |
| B                                    | 40 x 20R x 6 - 3                       | R1512 470 14   | 45 500                                    | 62 800                      | 75  | 62,941  | 62,969    |
| B                                    | 40 x 40R x 6 - 2                       | R1512 490 14   | 30 600                                    | 40 300                      | 150   | 71,941  | 71,969    |
| B                                    | 50 x 5R x 3,5 - 5                      | R1512 510 14   | 38 400                                    | 81 300                      | 15  | 67,931  | 67,966    |
| B                                    | 50 x 10R x 6 - 6                       | R1512 540 14   | 95 600                                    | 166 500                     | 30  | 71,931  | 71,966    |
| B                                    | 50 x 20R x 6,5 - 3                     | R1512 570 14   | 57 500                                    | 87 900                      | 60  | 84,936  | 84,964    |
| B                                    | 50 x 40R x 6,5 - 2                     | R1512 590 14   | 38 500                                    | 55 800                      | 120   | 84,936  | 84,964    |
| B                                    | 63 x 10R x 6 - 6                       | R1512 640 14   | 106 600                                   | 214 300                     | 24  | 84,926  | 84,961    |
| B                                    | 63 x 20R x 6,5 - 3                     | R1512 670 14   | 63 800                                    | 112 100                     | 48  | 94,936  | 94,964    |
| B                                    | 63 x 40R x 6,5 - 2                     | R1512 690 14   | 44 300                                    | 74 300                      | 95  | 94,936  | 94,964    |
| C                                    | 80 x 10R x 6,5 - 6                     | R1512 740 14   | 130 100                                   | 291 700                     | 19  | 104,926   | 104,961   |
| C                                    | 80 x 20R x 12,7 - 6                    | R1512 770 24   | 315 200                                   | 534 200                     | 30  | 124,931   | 124,959   |
| <b>Ausführungen mit Linksteilung</b> |  |                |   |                             |   |   |           |
| B                                    | 16 x 5L x 3 - 4                        | R1552 010 04   | 14 800                                    | 16 100                      | 30  | 27,94   | 27,975    |
| B                                    | 20 x 5L x 3 - 4                        | R1552 110 14   | 17 200                                    | 21 500                      | 30  | 32,935  | 32,970    |
| B                                    | 25 x 5L x 3 - 4                        | R1552 210 14   | 19 100                                    | 27 200                      | 30  | 37,935  | 37,970    |
| B                                    | 32 x 5L x 3,5 - 4                      | R1552 310 04   | 25 900                                    | 40 000                      | 23  | 47,935  | 47,970    |
| B                                    | 40 x 5L x 3,5 - 5                      | R1552 410 04   | 34 900                                    | 64 100                      | 19  | 55,931  | 55,966    |
| B                                    | 40 x 10L x 6 - 4                       | R1552 440 04   | 60 000                                    | 86 400                      | 38  | 62,931  | 62,966    |

1) Siehe „Drehzahlkennwert  $d_0 \cdot n$ “ auf Seite 141 und „Kritische Drehzahl  $n_{cr}$ “ auf Seite 176  
2) Toleranzklasse T3 für Größen nach Tabelle Seite 12  
3) Die Tragzahlen sind nur gültig für Toleranzklasse T3 und T5.  
Bei anderen Toleranzklassen bitte den Korrekturfaktor  $f_{ac}$  auf Seite 141 berücksichtigen.



4) Ausführung Schmieranschluss: Anflachung  $L_3 \leq 15$  mm, Senkung  $L_3 > 15$  mm; Bei Größe 8 x 2,5 Trichter-Schmiernippel DIN 3405 mitgeliefert.

| Größe                                 | (mm)  |       |       |       |          |       |       |     |       |       |       |          |        |           | Masse |  |
|---------------------------------------|-------|-------|-------|-------|----------|-------|-------|-----|-------|-------|-------|----------|--------|-----------|-------|--|
|                                       | $d_1$ | $d_2$ | $D_1$ | $D_5$ | Bohrbild | $D_6$ | $D_7$ | L   | $L_3$ | $L_4$ | $L_5$ | $L_{10}$ | $S^4)$ | $\varphi$ | m     |  |
| $d_0 \times P \times D_w - i$         |       |       | f9    |       |          |       |       |     |       |       |       |          |        | (°)       | (kg)  |  |
| 16 x 5R x 3 - 4                       | 15,0  | 12,9  | 28    | 53    | BB7      | 40    | 6,6   | 38  | 15    | 10,0  | 11,5  | 11,5     | M6     | 53        | 0,24  |  |
| 16 x 10R x 3 - 3                      | 15,0  | 12,9  | 28    | 53    | BB7      | 40    | 6,6   | 45  | 15    | 15,0  | 15,0  | 15,0     | M6     | 180       | 0,25  |  |
| 16 x 16R x 3 - 2                      | 15,0  | 12,9  | 33    | 58    | BB7      | 45    | 6,6   | 45  | 15    | 15,0  | 15,0  | 15,0     | M6     | 50        | 0,42  |  |
| 20 x 5R x 3 - 4                       | 19,0  | 16,9  | 33    | 58    | BB7      | 45    | 6,6   | 40  | 15    | 10,0  | 12,5  | 12,5     | M6     | 56        | 0,31  |  |
| 20 x 20R x 3,5 - 2                    | 19,0  | 16,7  | 38    | 63    | BB7      | 50    | 6,6   | 57  | 20    | 18,5  | 18,5  | 18,5     | M6     | 60        | 0,63  |  |
| 25 x 5R x 3 - 4                       | 24,0  | 21,9  | 38    | 63    | BB7      | 50    | 6,6   | 45  | 20    | 10,0  | 12,5  | 12,5     | M6     | 60        | 0,44  |  |
| 25 x 10R x 3 - 4                      | 24,0  | 21,9  | 38    | 63    | BB7      | 50    | 6,6   | 64  | 20    | 16,0  | 22,0  | 22,0     | M6     | 60        | 0,53  |  |
| 25 x 25R x 3,5 - 2                    | 24,0  | 21,4  | 48    | 73    | BB7      | 60    | 6,6   | 70  | 25    | 22,5  | 22,5  | 22,5     | M6     | 48        | 1,13  |  |
| 32 x 5R x 3,5 - 4                     | 31,0  | 28,4  | 48    | 73    | BB7      | 60    | 6,6   | 48  | 20    | 10,0  | 14,0  | 14,0     | M6     | 60        | 0,64  |  |
| 32 x 10R x 3,969 - 5                  | 31,0  | 27,9  | 48    | 73    | BB7      | 60    | 6,6   | 77  | 20    | 16,0  | 28,5  | 28,5     | M6     | 168       | 0,87  |  |
| 32 x 20R x 3,969 - 2                  | 31,0  | 27,9  | 56    | 80    | BB7      | 68    | 6,6   | 64  | 20    | 22,0  | 22,0  | 22,0     | M6     | 60        | 1,14  |  |
| 32 x 32R x 3,969 - 2                  | 31,0  | 27,9  | 56    | 80    | BB7      | 68    | 6,6   | 88  | 20    | 34,0  | 34,0  | 34,0     | M6     | 60        | 1,44  |  |
| 40 x 5R x 3,5 - 5                     | 39,0  | 36,4  | 56    | 80    | BB7      | 68    | 6,6   | 54  | 20    | 10,0  | 17,0  | 17,0     | M8x1   | 65        | 0,87  |  |
| 40 x 10R x 6 - 4                      | 38,0  | 33,8  | 63    | 95    | BB7      | 78    | 9,0   | 70  | 25    | 16,0  | 22,5  | 22,5     | M8x1   | 57        | 1,53  |  |
| 40 x 20R x 6 - 3                      | 38,0  | 33,8  | 63    | 95    | BB7      | 78    | 9,0   | 88  | 25    | 25,0  | 31,5  | 31,5     | M8x1   | 180       | 1,77  |  |
| 40 x 40R x 6 - 2                      | 38,0  | 33,8  | 72    | 110   | BB7      | 90    | 11,0  | 102 | 40    | 31,0  | 31,0  | 31,0     | M8x1   | 49        | 3,77  |  |
| 50 x 5R x 3,5 - 5                     | 49,0  | 46,4  | 68    | 98    | BB7      | 82    | 9,0   | 54  | 25    | 10,0  | 14,5  | 14,5     | M8x1   | 67        | 1,23  |  |
| 50 x 10R x 6 - 6                      | 48,0  | 43,8  | 72    | 110   | BB7      | 90    | 11,0  | 90  | 30    | 16,0  | 30,0  | 30,0     | M8x1   | 61        | 2,44  |  |
| 50 x 20R x 6,5 - 3                    | 48,0  | 43,3  | 85    | 125   | BB7      | 105   | 11,0  | 92  | 30    | 25,0  | 31,0  | 31,0     | M8x1   | 180       | 3,94  |  |
| 50 x 40R x 6,5 - 2                    | 48,0  | 43,3  | 85    | 125   | BB7      | 105   | 11,0  | 109 | 30    | 39,5  | 39,5  | 39,5     | M8x1   | 60        | 4,42  |  |
| 63 x 10R x 6 - 6                      | 61,0  | 56,8  | 85    | 125   | BB7      | 105   | 11,0  | 90  | 30    | 16,0  | 30,0  | 30,0     | M8x1   | 65        | 2,94  |  |
| 63 x 20R x 6,5 - 3                    | 61,0  | 56,3  | 95    | 140   | BB7      | 118   | 14,0  | 92  | 30    | 25,0  | 31,0  | 31,0     | M8x1   | 190       | 4,45  |  |
| 63 x 40R x 6,5 - 2                    | 61,0  | 56,3  | 95    | 140   | BB7      | 118   | 14,0  | 109 | 30    | 39,5  | 39,5  | 39,5     | M8x1   | 70        | 4,95  |  |
| 80 x 10R x 6,5 - 6                    | 78,0  | 73,3  | 105   | 150   | BB7      | 125   | 14,0  | 95  | 30    | 16,0  | 32,5  | 32,5     | M8x1   | 67        | 4,20  |  |
| 80 x 20R x 12,7 - 6                   | 76,0  | 67,0  | 125   | 180   | BB7      | 152   | 18,0  | 170 | 50    | 25,0  | 60,0  | 60,0     | M8x1   | 60        | 13,3  |  |
| <b>Ausführungen mit Linkssteigung</b> |       |       |       |       |          |       |       |     |       |       |       |          |        |           |       |  |
| 16 x 5L x 3 - 4                       | 15,0  | 12,9  | 28    | 53    | BB7      | 40    | 6,6   | 38  | 15    | 10,0  | 11,5  | 11,5     | M6     | 53        | 0,24  |  |
| 20 x 5L x 3 - 4                       | 19,0  | 16,9  | 33    | 58    | BB7      | 45    | 6,6   | 40  | 15    | 10,0  | 12,5  | 12,5     | M6     | 56        | 0,31  |  |
| 25 x 5L x 3 - 4                       | 24,0  | 21,9  | 38    | 63    | BB7      | 50    | 6,6   | 45  | 20    | 10,0  | 12,5  | 12,5     | M6     | 60        | 0,44  |  |
| 32 x 5L x 3,5 - 4                     | 31,0  | 28,4  | 48    | 73    | BB7      | 60    | 6,6   | 48  | 20    | 10,0  | 14,0  | 14,0     | M6     | 59        | 0,64  |  |
| 40 x 5L x 3,5 - 5                     | 39,0  | 36,4  | 56    | 80    | BB7      | 68    | 6,6   | 54  | 20    | 10,0  | 17,0  | 17,0     | M8x1   | 65        | 0,87  |  |
| 40 x 10L x 6 - 4                      | 38,0  | 33,8  | 63    | 95    | BB7      | 78    | 9,0   | 70  | 25    | 16,0  | 22,5  | 22,5     | M8x1   | 57        | 1,53  |  |