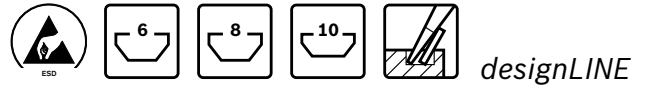


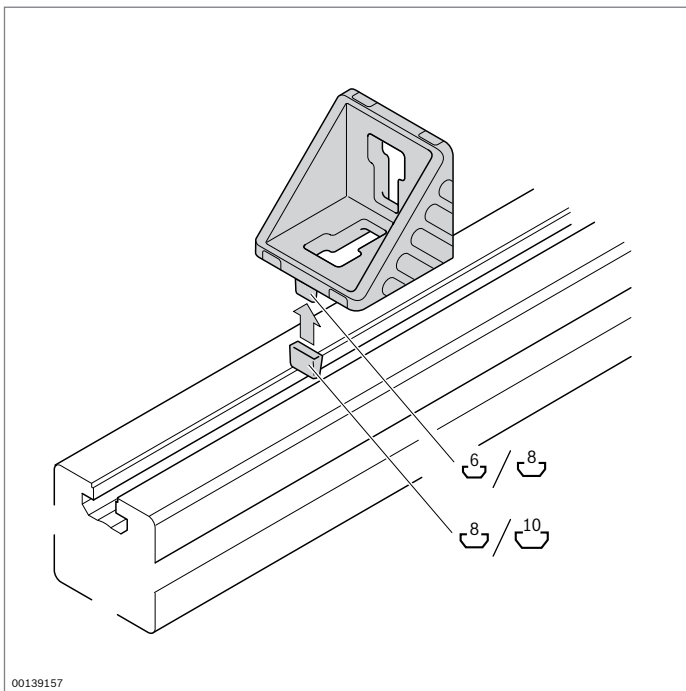
Bracket

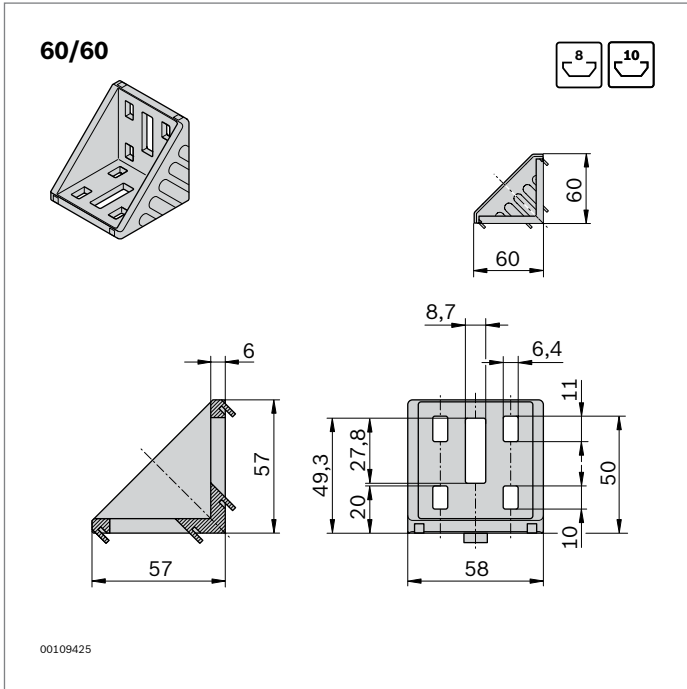


- ▶ Brackets with centering lugs for rapid, precise assembly with protection against turning
- ▶ Centering lugs can be easily broken off for assembly on plates or at right angles to the slot
- ▶ *designLINE* version with special silver paint (RAL 9006) for an attractive, high-quality design
- ▶ Intermediate element for positioning brackets in the next largest slot
- ▶ Offset sliding block for off-center positioning of the 45/45 bracket
- ▶ Cover cap to protect from dirt, available in signal gray (RAL 7004) and black ESD (RAL 9005)
- ▶ Profile finishing: not required

Technical data (p. 19-9)

Note: The collar screws enable the brackets to be assembled really quickly and easily (p. 3-5)



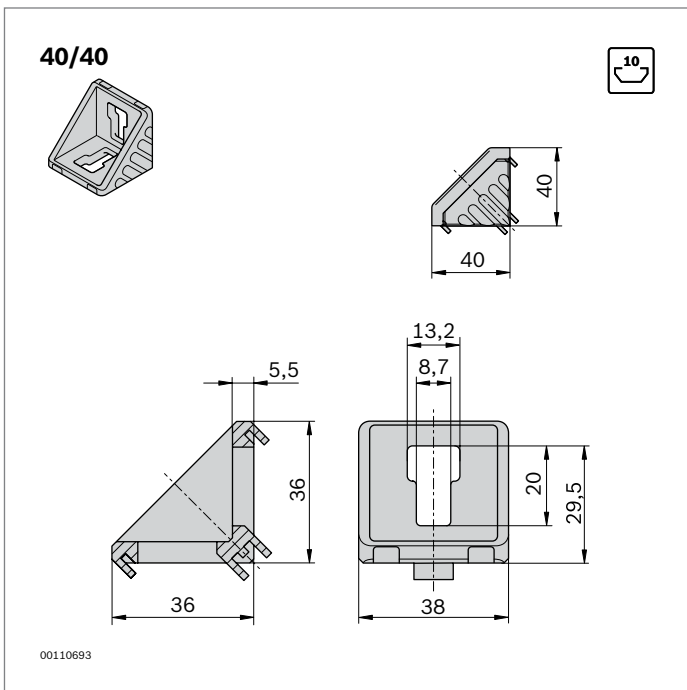
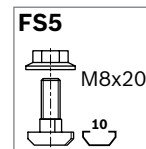
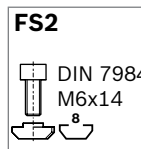


60/60	Slot	ESD	No.	FS
Set (standard)	8 / 8		1	3 842 523 549 8xFS2
	8 / 10		1	3 842 523 551 4xFS2, 1xFS5
	10 / 10		1	3 842 523 553 2xFS5
<i>designLINE</i> set	8 / 8		1	3 842 551 609 8xFS2
	8 / 10		1	3 842 551 610 4xFS2, 1xFS5
	10 / 10		1	3 842 551 611 2xFS5
Bracket (standard)	8		20	3 842 523 546
Cover cap, signal gray			20	3 842 548 852
Cover cap, black			20	3 842 548 853
Adapter for 10 mm slot	10		100	3 842 523 537

Material: Bracket: Diecast aluminum, vibratory ground
designLINE bracket: painted (RAL 9006)
 Adapter: PA; black
 Cover cap: PP
 Fastening material: steel; galvanized

Scope of delivery: set incl. fastening material (FS)

Type	Slot				
60/60	8	5000 N	320 Nm	370 Nm	110 Nm
	10	3000 N	125 Nm	150 Nm	-



40/40	Slot	ESD	No.	FS
Set (standard)	10 / 10		1	3 842 529 383 2xFS5
<i>designLINE</i> set	10 / 10		1	3 842 551 603 2xFS5
Bracket (standard)	10		100	3 842 528 967
Cover cap, signal gray			100	3 842 548 854
Cover cap, black			20	3 842 548 855

Material: Bracket: Diecast aluminum, vibratory ground
designLINE bracket: painted (RAL 9006)
 Cover cap: PP
 Fastening material: steel; galvanized

Scope of delivery: set incl. fastening material (FS)

Type				
40/40	3000 N	55 Nm	145 Nm	35 Nm

