

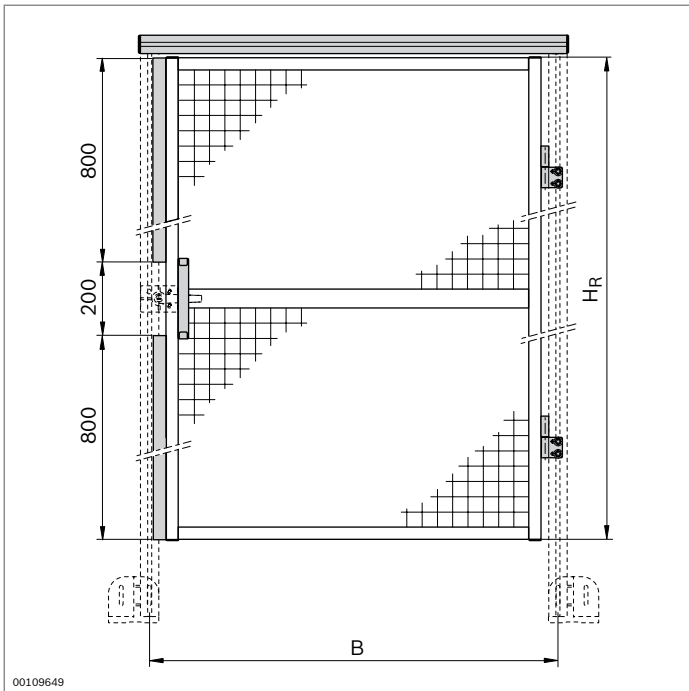
19662

EcoSafe system door kit

- ▶ For constructing an EcoSafe system door in the modular dimension system
- ▶ Use of finished protective frame as a door
- ▶ For doors that open to the left or right
- ▶ Required components:
 - assembly kit for system door
 - protective frame (p. 10-6)

Optional accessories:

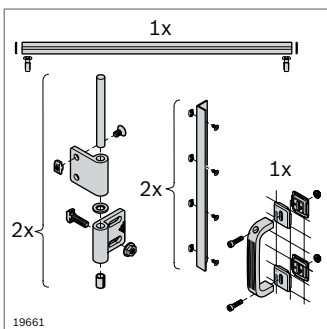
- ▶ door lock (p. 8-12)
- ▶ Attachment kit for safety switch (p. 10-20)



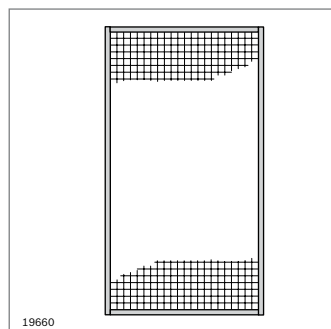
00109649

Assembly kit for system door	H _R (mm)	B (mm)	No.
	1800	1000	3 842 523 166
	1800	750	3 842 523 165

Scope of delivery: 2 x hinge, 2 x stop rail, profile as door lintel, bow-shaped handle, incl. fastening material



19661



19660

Selection of suitable protective frames

Protective frame	H _R (mm)	B (mm)	No.
Protective frame, in horizontal sections	1800	1000	3 842 554 281
Protective frame	1800	750	3 842 554 283

Material: aluminum, anodized; woven wire grille and fastening material: steel; galvanized

Scope of delivery: fully assembled