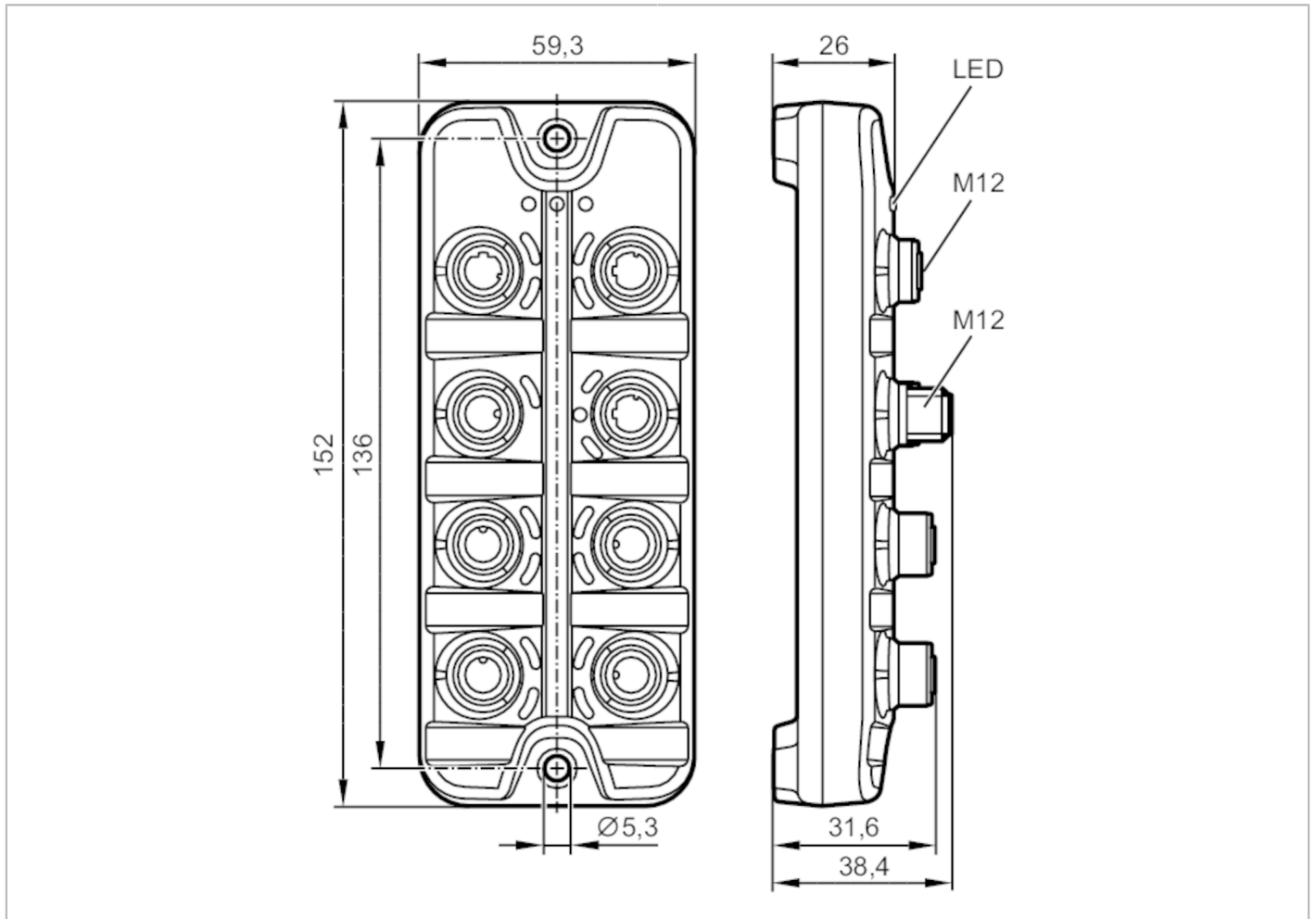


AL1340



IO-Link master with Modbus TCP interface

IO-Link Master DL MB 4P IP67



Application	
Application	I/O modules for field applications
Daisy-chain function	fieldbus interface
Electrical data	
Operating voltage [V]	20...30 DC; (US; to SELV/PELV)
Current consumption [mA]	300...3900; (US)
Protection class	III
sensor supply US	
Max. current load total [A]	3.6
Inputs / outputs	
Total number of inputs and outputs	8; (configurable)
Number of inputs and outputs	Number of digital inputs: 8; Number of digital outputs: 4



IO-Link master with Modbus TCP interface

IO-Link Master DL MB 4P IP67

Inputs		
Number of digital inputs		8; (IO-Link Port Class A: 4 x 2)
Switching level high	[V]	11...30
Switching level low	[V]	0...5
Digital inputs protected against short circuits		yes
Outputs		
Number of digital outputs		4; (IO-Link Port Class A: 4 x 1)
Max. current load per output	[mA]	200
Short-circuit proof		yes
Interfaces		
Communication interface		Ethernet; IO-Link
Ethernet - Internet of Things		
Transmission standard		10Base-T; 100Base-TX
Transmission rate		10; 100
Protocol		TCP/IP JSON
Factory settings		IP address: 169.254.x.x
		subnet mask: 255.255.0.0
		gateway IP address: 0.0.0.0
		MAC address: see type label
Ethernet - Modbus TCP		
Transmission standard		10Base-T; 100Base-TX
Transmission rate		10; 100
Protocol		Modbus TCP
Factory settings		IP address: 192.168.1.250
		subnet mask: 255.255.255.0
		gateway IP address: 0.0.0.0
		MAC address: see type label
IO-Link Master		
Transmission type		COM 1 / COM 2 / COM 3
IO-Link revision		1.1
Number of ports class A		4
Operating conditions		
Ambient temperature	[°C]	-25...60
Storage temperature	[°C]	-25...85
Max. relative air humidity	[%]	90
Protection		IP 65; IP 66; IP 67
Degree of soiling		2
Tests / approvals		
EMC		EN 61000-6-2
		EN 61000-6-4
Shock resistance		DIN EN 60068-2-27
Vibration resistance		DIN EN 60068-2-64 2009-04
		DIN EN 60068-2-6 2008-10

AL1340



IO-Link master with Modbus TCP interface

IO-Link Master DL MB 4P IP67

Mechanical data

Weight	[g]	302
Materials		housing: PA; socket: brass nickel-plated

Remarks

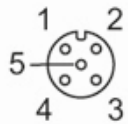
Remarks	For further information please see the operating instructions.
Pack quantity	1 pcs.

Electrical connection - Process connection

IO-Link Port Class A X01...X04

1	Sensorversorgung (US) L+
2	digital input
3	Sensorversorgung (US) L-
4	C/Q IO-Link
5	not used

Connector: M12



Electrical connection - voltage supply

X31

1	+ 24 V DC (US)
2	not used
3	GND (US)
4	not used

Connector: M12



Electrical connection - Ethernet

Modbus TCP X21, X22

1	TX +
2	RX +
3	TX -
4	RX -
5	not used

AL1340



IO-Link master with Modbus TCP interface

IO-Link Master DL MB 4P IP67

IoT X23

1	TX +
2	RX +
3	TX -
4	RX -
5	not used

Connector: M12

