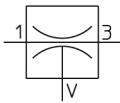


ZH*D*A, Vacuum Ejector, Body Ported Type, Metric ZH10DLA-06-06-08S

Data Sheet

- Body Ported Type Vacuum Ejector. Compact and lightweight.
- Suction flow rate up to 155 l/min.
- Nozzle diameters: 0.5, 0.7, 1, 1.3, 1.5, 1.8 and 2 mm.
- Multiple piping variations. One-touch fittings: Metric size \varnothing 6, 8, 10 and 12 mm and Inch size \varnothing 1/4, 5/16, 3/8 and 1/2". Screw-in connections: \varnothing 1/8 to 1/2 metric and inch size.
- 4 mounting types: direct, standard bracket, L-bracket or DIN rail.
- Accessories: silencer and brackets.

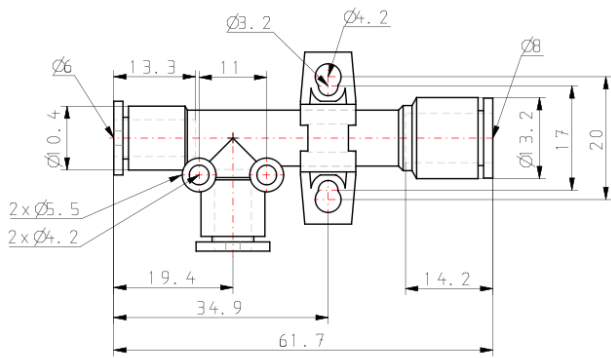
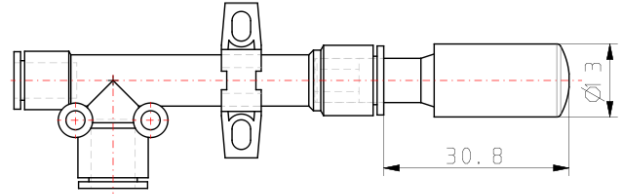
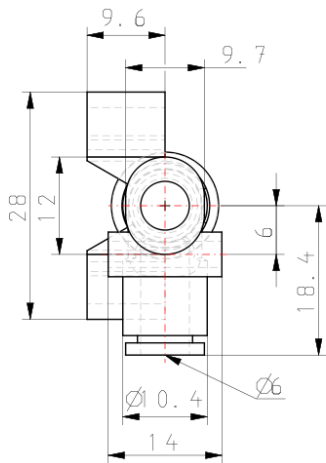


Vacuum ejector

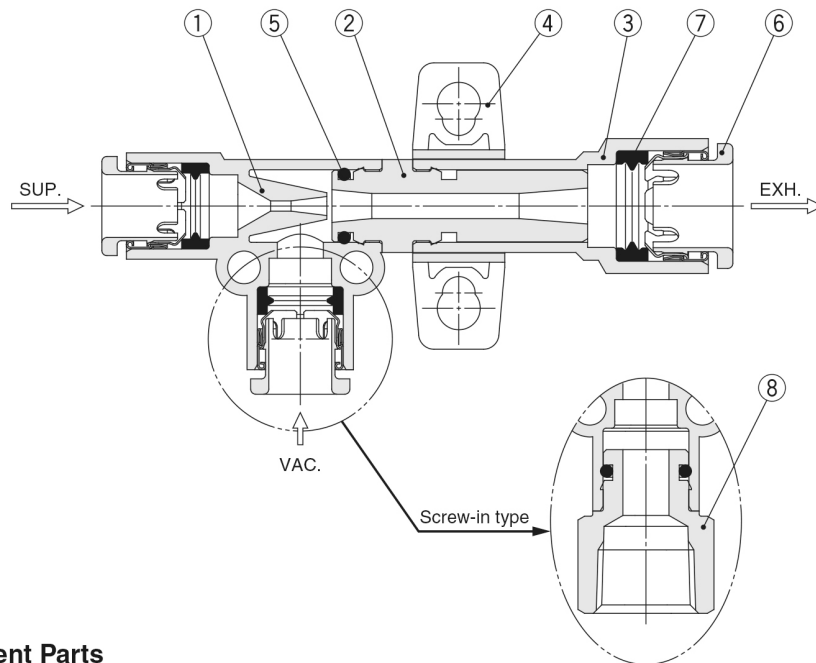
Standard Specifications

Nozzle Diameter	ø 1.0 mm
Vacuum Pressure	ZH05 to 13); -66 kPa (ZH15 to 20
Port SUP.	One-touch Fitting Ø6
Port VAC.	One-touch Fitting Ø6
Port EXH.	One-touch Fitting Ø8
Accessories	W/ Bracket - W/ Silencer
Pressure medium	Air
Maximum temperature of pressure medium	50 °C
Minimum temperature of pressure medium	-5 °C
Maximal operating pressure	0.6 MPa
Minimum operating pressure	0.1 MPa
Maximum ambient temperature	50 °C
Minimum ambient temperature	-5 °C
Conform to the European RoHS Directive	Conform
Pneumatic input connection	One-touch Ø 8
Pneumatic exhaust connection	One-touch Ø 8
Flow rate	52 l/min (ANR)
Usable tubing material	Nylon, Soft nylon, Polyurethane
Subfamily	ZH*D*A, Vacuum Ejector, Body Ported Type, Metric
Maximum Vacuum	-48 kPa
Nozzle diameter	1.0 mm
Operating pressure for max. vacuum	0.45 MPa
Weight	0.008 kg

Dimensions



Constructions



Component Parts

No.	Description	Material	Note
1	Body	PBT	
2	Diffuser	PPS	Type S: Brown, Type L: Black
3	Adapter	PBT	
4	Standard bracket	PBT	Detachable (Accessory)
5	O-ring	NBR	Grease applied
6	Cassette	—	
7	Seal	NBR	Grease applied
8	Screw-in stud	Brass	Electroless nickel plating

Additional information

Catalogue

[ZH-A_EU.pdf](#)

Related Products



ZFC74
ZFC, In-line Air Filter with One-touch Fitting (NEW)



ZSE10-M5-B-M
ZSE10, Digital Pressure Switch, Vacuum/Compound Pressure



ZP2V
ZP2V, Vacuum Saving Valve



ZP2-T*U*S, Vacuum Pad with Ball Spline Buffer



ZP2-MT**, Vacuum Pad, Flat



ZP3-Y*U/UM, Lateral vacuum inlet with Adapter



ZPT (U,C), Vacuum Pad, Vertical Entry



ZP3E-T, Compact Pad, Vertical Vacuum Inlet w/Adapter (Suction Cups)



ZFC74
ZFC, In-line Air Filter with One-touch Fitting (NEW)



ZSE10-M5-B-M
ZSE10, Digital Pressure Switch, Vacuum/Compound Pressure



ZP2V
ZP2V, Vacuum Saving Valve



ZP2-T*U*S, Vacuum Pad with Ball Spline Buffer



ZP2-MT**, Vacuum Pad, Flat



ZP3-Y*U/UM, Lateral vacuum inlet with Adapter



ZPT (U,C), Vacuum Pad, Vertical Entry



ZP3E-T, Compact Pad, Vertical Vacuum Inlet w/Adapter (Suction Cups)

Specifications are subject to change without prior notice and any obligation on the part of the manufacturer.