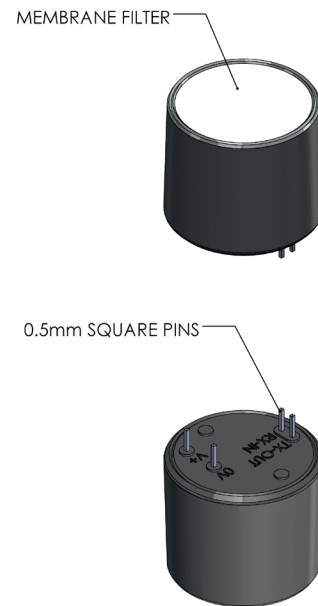
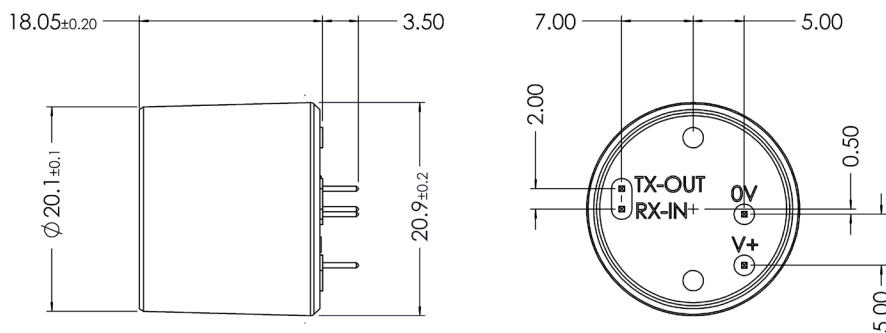


# Technical drawings

## ExplorIR®-M

CONNECTION	DESCRIPTION	COMMENTS
0V	GND CONNECTION	0V
V+	POSITIVE POWER SUPPLY	3V3 TO 5V
Tx-OUT	UART Tx FROM SENSOR	Voh WILL BE 3V. SENSOR OUTPUT.
Rx-IN	UART Rx TO SENSOR	USED FOR CONFIGURATION



THIS INFORMATION SUPPLIED BY GSS IS BELIEVED TO BE ACCURATE AND RELIABLE. HOWEVER NO RESPONSIBILITY IS ASSUMED BY GSS LTD FOR ITS USE.

Document version no: **24/07/18-001**