



### Main

Range of product	Preventa Safety automation
Product or component type	Safe communication expansion module
Device short name	XPSMCM
[Us] rated supply voltage	24 V (- 20...20 %) DC

### Complementary

Power dissipation in W	3 W
Safety level	Can reach category 4 conforming to EN/ISO 13849-1 Can reach PL = e conforming to EN/ISO 13849-1 Can reach SILCL 3 conforming to IEC 62061 Can reach SIL 3 conforming to EN/IEC 61508
Quality labels	CE
Range compatibility	Preventa XPSMCM
Connector type	4 ways RS485
Number of port	2
Communication port protocol	RS485
Current consumption	0.125 mA
Cable distance between devices	50 m
Local signalling	Green LED with ON marking for power ON Green LED with RUN marking for operating Red LED with E IN marking for internal error Red LED with E EX marking for external error
Number of terminals	4
Connections - terminals	2-wire captive screw clamp terminals, removable terminal block 1-wire captive screw clamp terminals, removable terminal block
Cable cross section	(0.2...1.5 mm <sup>2</sup> - AWG 24...AWG 16) flexible cable without cable end (0.2...2.5 mm <sup>2</sup> - AWG 24...AWG 14) flexible cable without cable end (0.25...1 mm <sup>2</sup> - AWG 23...AWG 18) flexible cable with cable end, without bezel (0.25...2.5 mm <sup>2</sup> - AWG 23...AWG 14) flexible cable with cable end, with bezel (0.5...1.5 mm <sup>2</sup> - AWG 20...AWG 16) flexible cable with cable end, with double bezel (0.2...1 mm <sup>2</sup> - AWG 24...AWG 18) solid cable without cable end

Disclaimer: This documentation is not intended as a substitute for and is not to be used for determining suitability or reliability of these products for specific user applications

(0.2...2.5 mm<sup>2</sup> - AWG 24...AWG 14) solid cable without cable end  
 (0.25...2.5 mm<sup>2</sup> - AWG 23...AWG 14) flexible cable with cable end, without bezel

Mounting support	Omega 35 mm DIN rail conforming to EN 50022
Width	22.5 mm
Height	99 mm
Depth	114.5 mm
Product weight	0.3 kg

## Environment

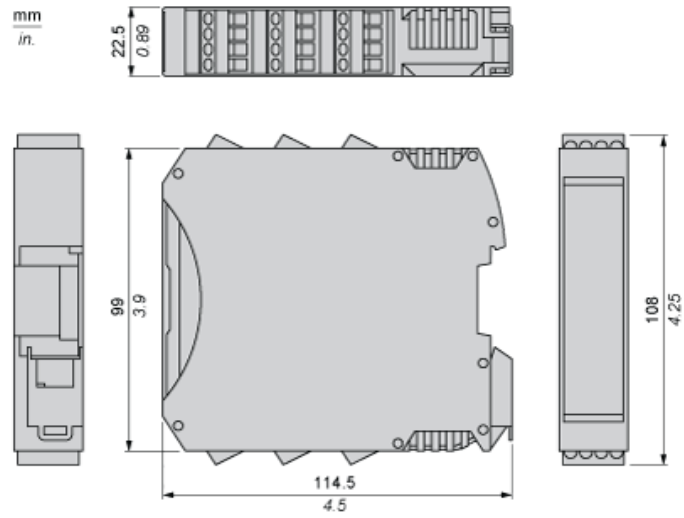
Product certifications	CULus TÜV RCM
IP degree of protection	IP20
Ambient air temperature for operation	-10...55 °C
Ambient air temperature for storage	-20...85 °C
Relative humidity	10...95 %
Pollution degree	2
Insulation	250 V AC between power supply and housing conforming to EN/IEC 61800-5-1
Overvoltage category	II
Electromagnetic compatibility	Electrostatic discharge immunity test - test level 6 kV, on contact conforming to EN/IEC 61000-4-2 Electrostatic discharge immunity test - test level 20 kV, on air conforming to EN/IEC 61000-4-2 Susceptibility to electromagnetic fields - test level 10 V/m, 80...1000 MHz conforming to EN/IEC 61000-4-3 Susceptibility to electromagnetic fields - test level 30 V/m, 1.4 GHz...2 GHz conforming to EN/IEC 61000-4-3
Vibration resistance	+/-0.35 mm (f = 10...55 Hz) conforming to EN/IEC 61496-1
Shock resistance	10 gn (duration = 16 ms) shocks : 1000 shocks on each axis EN/IEC 61496-1
Operating altitude	2000 m
Service life	20 yr

## Offer Sustainability

Sustainable offer status	Green Premium product
RoHS (date code: YYWW)	Compliant - since 1450 - Schneider Electric declaration of conformity <a href="#">Schneider Electric declaration of conformity</a>
REACH	Reference not containing SVHC above the threshold <a href="#">Reference not containing SVHC above the threshold</a>
Product environmental profile	Available
Product end of life instructions	Available

Dimensions

Screw Terminal

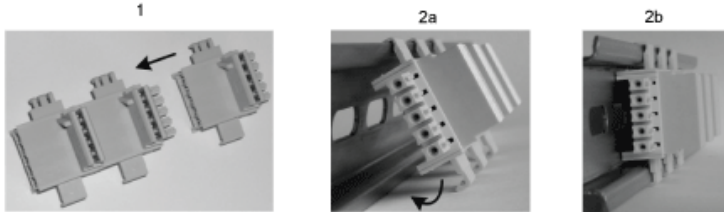


---

Mounting Safety Controller CPU with Module(s)

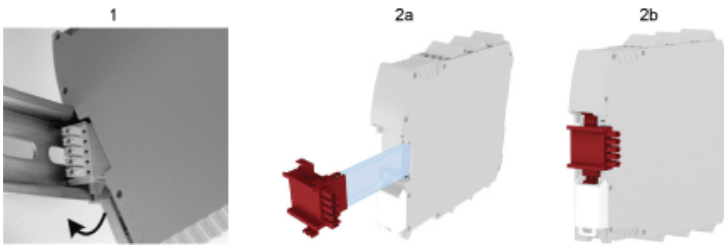
---

Mount BackPlane Connector on Rail



- 1 : Connect as much Backplane Connector as module to be install.
- 2 : Fix the connectors to the rail (Top first).

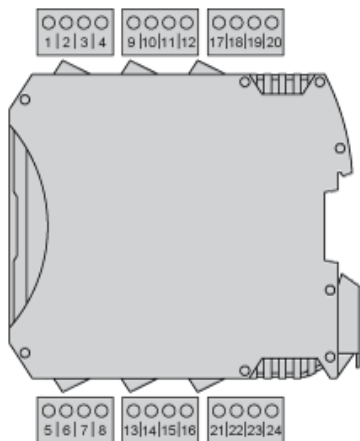
Mount Safety Controller CPU with Other Module(s)



- 1 : Mount controller CPU and modules on rail.
- 2 : Make sure that the controller CPU or the module(s) are plugged on the BackPlane connector.

Wiring

Terminal Designation



Terminal	Signal
1	24 VDC
2	not connected
3	BRAIDING CH1
4	0 VDC
5	not connected
6	not connected
7	BRAIDING CH2
8	not connected
9	CH1-A
10	CH1-B
11	CH1-C
12	CH1-D
13	CH2-A
14	CH2-B
15	CH2-C
16	CH2-D