

# FX0-GPNT00000

Flexi Soft

SAFETY CONTROLLERS

**SICK**  
Sensor Intelligence.



### Ordering information

Type	Part no.
FX0-GPNT00000	1044074

Other models and accessories → [www.sick.com/Flexi\\_Soft](http://www.sick.com/Flexi_Soft)



### Detailed technical data

#### Features

<b>Module</b>	Gateway
<b>Fieldbus, industrial network</b>	PROFINET
<b>Configuration method</b>	Via software

#### Interfaces

<b>Fieldbus, industrial network</b>	PROFINET
<b>Integrated Ethernet switch</b>	3-port layer-2 managed switch with Auto-MDI-X for automatic detection of crossed Ethernet cable
<b>Data transmission rate</b>	10 Mbit/s, 10Base-T 100 Mbit/s, 100Base-T autosensing
<b>Connection type</b>	2 x female connector, RJ-45

#### Electrical data

<b>Protection class</b>	III (EN 61140)
<b>Voltage supply</b>	Via FLEXBUS+
<b>Internal power consumption</b>	≤ 2.4 W <sup>1)</sup>

<sup>1)</sup> Via FLEXBUS+.

#### Mechanical data

<b>Dimensions (W x H x D)</b>	22.5 mm x 96.5 mm x 120.6 mm
<b>Weight</b>	125 g (± 10 %)

#### Ambient data

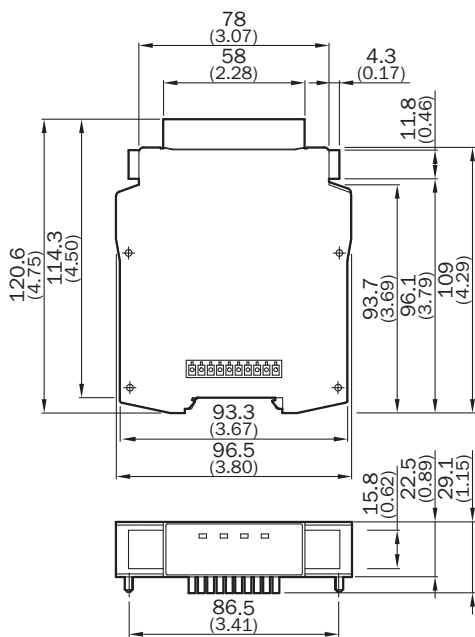
<b>Enclosure rating</b>	IP20 (EN 60529)
<b>Ambient operating temperature</b>	-25 °C ... +55 °C
<b>Storage temperature</b>	-25 °C ... +70 °C
<b>Air humidity</b>	10 % ... 95 %, Non-condensing

Classifications

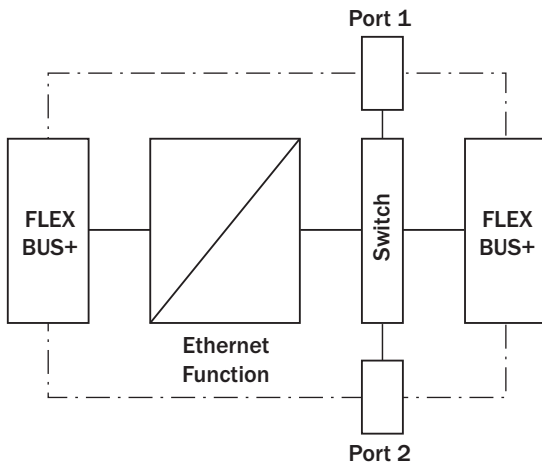
<b>ECl@ss 5.0</b>	27242290
<b>ECl@ss 5.1.4</b>	27249090
<b>ECl@ss 6.0</b>	27249090
<b>ECl@ss 6.2</b>	27249090
<b>ECl@ss 7.0</b>	27249090
<b>ECl@ss 8.0</b>	27249090
<b>ECl@ss 8.1</b>	27249090
<b>ECl@ss 9.0</b>	27249090
<b>ETIM 5.0</b>	EC002632
<b>ETIM 6.0</b>	EC002632
<b>UNSPSC 16.0901</b>	32151705

**Dimensional drawing** (Dimensions in mm (inch))

FX0-GENT, FX0-GMOD, FX0-GPNT



### Connection diagram



## SICK AT A GLANCE

SICK is one of the leading manufacturers of intelligent sensors and sensor solutions for industrial applications. A unique range of products and services creates the perfect basis for controlling processes securely and efficiently, protecting individuals from accidents and preventing damage to the environment.

We have extensive experience in a wide range of industries and understand their processes and requirements. With intelligent sensors, we can deliver exactly what our customers need. In application centers in Europe, Asia and North America, system solutions are tested and optimized in accordance with customer specifications. All this makes us a reliable supplier and development partner.

Comprehensive services complete our offering: SICK LifeTime Services provide support throughout the machine life cycle and ensure safety and productivity.

For us, that is “Sensor Intelligence.”

## WORLDWIDE PRESENCE:

Contacts and other locations –[www.sick.com](http://www.sick.com)