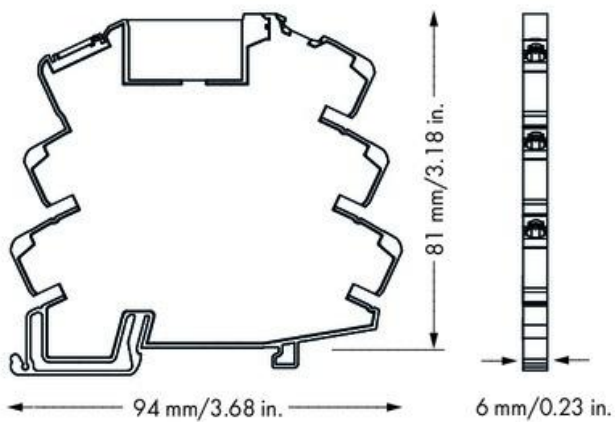
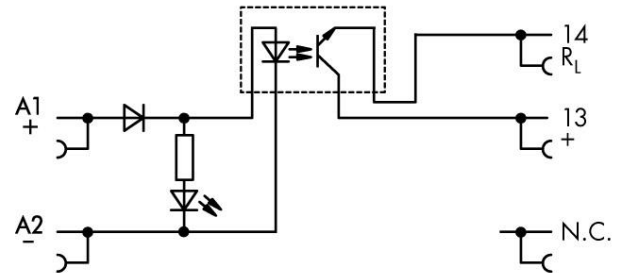
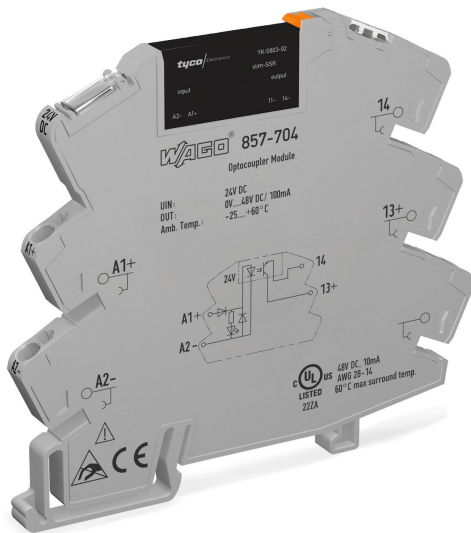


Data sheet | Item number: 857-704

Socket with solid state relay; Input DC 24 V; Output DC 0 V ... 48 V / 0.1 A

www.wago.com/857-704



Item description

Note:

Optocouplers and solid state relays are designed for use in signal processing networks, which are not supplied by the low-voltage power supply networks.

Data

Technical Data

Control circuit

Nominal input voltage U_N	24 VDC
Input voltage range (low level)	0 ... 10 VDC
Input voltage range (high level)	16.8 ... 30 VDC
Nominal input current at U_N	9 mA

Load circuit:

Circuit type	2-conductor termination
Limiting continuous current	0.1 A
Output voltage range	0 ... 48 VDC
Max. voltage drop at output	≤ 1 VDC
Reverse voltage transistor/triac	60 V
Min. switching current	50 μ A
Turn-on time	≤ 100 μ s
Drop-out time	≤ 600 μ s
Switching frequency	≤ 1 kHz

Signaling

Status indication	LED yellow
-------------------	------------

Safety and protection:

Dielectric strength, control/load circuit (AC, 1 min)	3.75 kV _{rms}
Dielectric strength, control/load circuit (AC, 1 min)	3.75 kV _{rms}
Degree of protection	IP20

Connection data

Connection technology	Push-in CAGE CLAMP®
Solid conductor	0.34 ... 2.5 mm ² / 22 ... 14 AWG
Fine-stranded conductor	0.34 ... 2.5 mm ² / 22 ... 14 AWG
Strip length	9 ... 10 mm / 0.35 ... 0.39 Inch

Geometrical Data

Width	6 mm / 0.236 in
Height from upper-edge of DIN-35 rail	81 mm / 3.189 in
Depth	94 mm / 3.701 in

Mechanical data

Type of mounting	DIN-35 rail
------------------	-------------

Material Data

Color	gray
Fire load	0.619 MJ
Weight	29.789 g

Environmental Requirements

Permissible surrounding air (operating) temperature at U_N	-20 ... 60 °C
Surrounding air (storage) temperature	-40 ... 70 °C

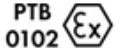

Standards and specifications

Standards/specifications	EN 61000-6-2; EN 61000-6-3; EN 61373; EN 61010-2-201; UL 508
--------------------------	--

Commercial data


Country of Origin	CN
GTIN	4045454835491
Product Group	6 (Interface Electronics)

Ex-Approvals

Logo	Approval	Certificate name
	ATEX DEKRA EXAM GmbH	BVS_14_ATEX_E_091_X
	IECEx DEKRA EXAM GmbH	IECEx_BVS_14.0079_X



UL-Approvals

Logo	Approval	Certificate name
	UL UL International Netherlands B.V. (ORDINARY LOCATIONS)	E175199 Sec.4

Subject to changes.

WAGO Kontakttechnik GmbH & Co. KG
Hansastr. 27
32423 Minden
Phone: +49571 887-0 | Fax: +49571 887-169
Email: info.de@wago.com | Web: www.wago.com

Do you have any questions about our products?
We are always happy to take your call at 01788 568 008.