



Datasheet

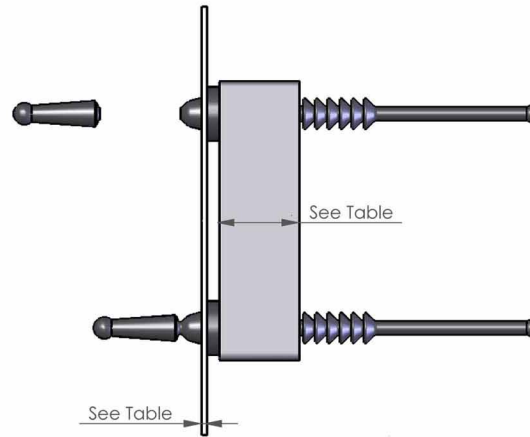
RS PRO Fan Mount Rivet 133,5mm

Stock number: 172-0880

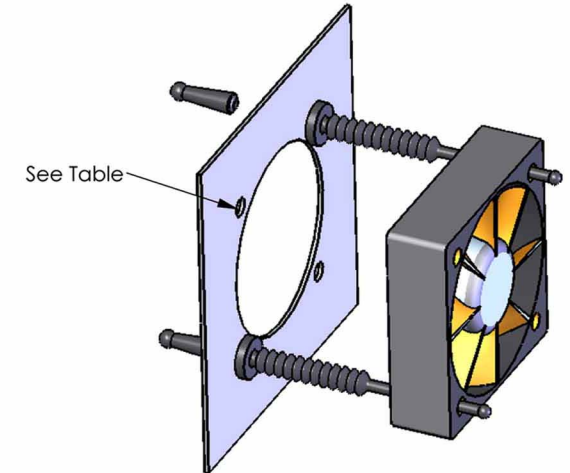
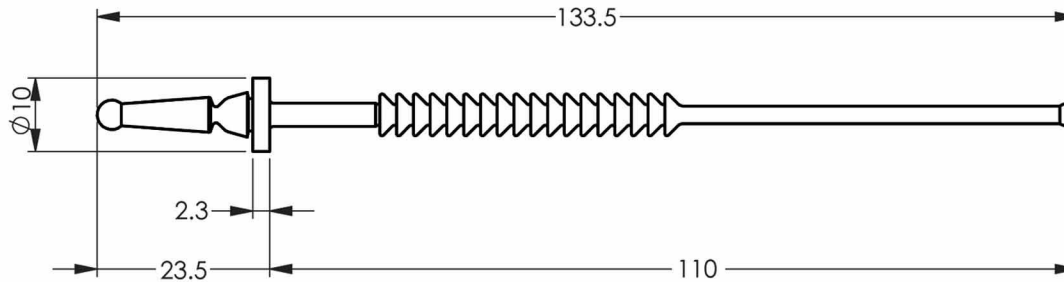
EN



DIMENSIONS	TOLERANCE
<4mm	±0.20
4mm~15mm	±0.30
15mm~30mm	±0.40
30mm~50mm	±0.50
50mm~100mm	±1.00
>100mm	±2.00



REVISIONS			
REV	DESCRIPTION	DATE	BY
01	NEW DRAWING	2012-4-21	Jack Xu



Panel Hole Dia.	Panel Thickness	Fan Hole Dia.	Fan Case Thickness
4.5~5.0	0.8~1.6	4.0~4.5	25~51

NOTES:
 ASSEMBLY PROCEDURE:
 STEP 1: PULL MOUNT TO PANEL - GRIP BREAKS-AWAY AFTER FIXING •
 STEP 2: LOCATE AND ASSEMBLE FAN HOUSING •

Unit:mm

SCALE	1:1	PART NAME	Fan Snap Rivet
COLOR	BLACK	PART NO.	172-0880
DRAWN	ALEX	MATERIAL	SILICONE RUBBER
CHECK	JACK	DRAWING NO.	KS180711-9
APPROVED	GARY	DRAWING DATE	2012-4-21