



## Datasheet

# RS PRO Type 3 20mm dia x 10mm H

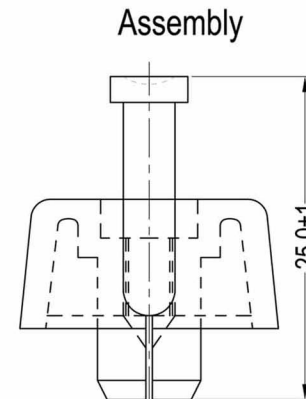
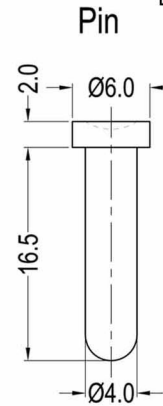
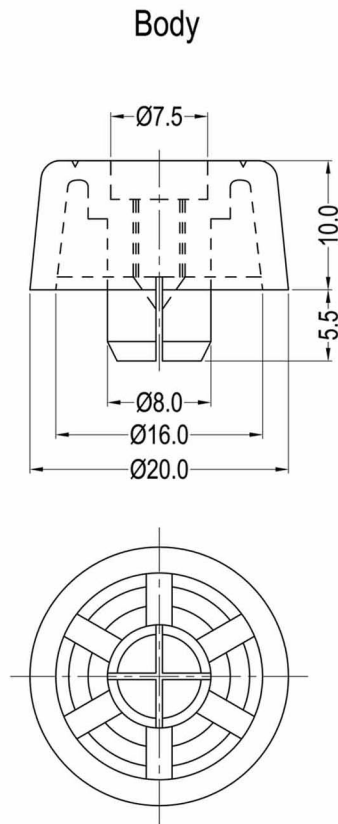
Stock number: 172-0852

EN



DIMENSIONS	TOLERANCE
<4mm	±0.15
4mm~15mm	±0.20
15mm~30mm	±0.30
30mm~50mm	±0.50
50mm~100mm	±1.00

REVISIONS			
REV	DESCRIPTION	DATE	BY
01	NEW DRAWING	2015-9-16	Jack Xu



**NOTES:**

- 1.MATERIAL: BODY--TPV  
PIN--- PP
- 2.FLAME CLASS: UL94 HB
- 3.Hole:Ø8.0~8.1mm  
Panel Thickness:0.8~1.5mm

Unit:mm

SCALE	2:1	PART NAME	Soft Fast Foot
COLOR	BLACK	PART NO.	172-0852
DRAWN	ALEX	MATERIAL	SEE NOTES
CHECK	JACK	DRAWING NO.	KS180712-6
APPROVED	FRED	DRAWING DATE	2015-9-16