

3/2-way basic valve
Type SVS-3-1/8
SVOS-3-1/8
with actuators for panel mounting (spring return)

Valve actuators with standard dias. 22.5 or 30.5 mm can be mounted on this valve.

A reliable quick coupling system permits rapid assembly and disassembly of the actuators.

The valve actuators can also be mounted on 5/2-way valves (see sheet 2.180).

Accessories:

Inscription labels, Type BZ
(DIN 1451)

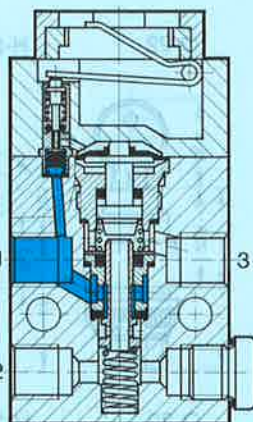


Design:
anodized aluminium,
height of letters 6 mm

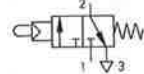
See sheet 6.315 for order code

- 1 (P) = Supply port
- 2 (A) = Working or outlet line
- 3 (R) = Exhaust

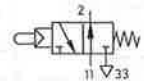
Basic valve: Type SVS-3-1/8



Basic valve for panel mounting
Type SVS-3-1/8



SVOS-3-1/8



Pushbutton actuator

Type T-22-S T-22-G T-22-R
T-30-S T-30-G T-30-R



Mushroom pushbutton actuator
Type P-22-S P-30-S



Impact head with detent
Type PR-22-R PR-30-R
*disengage by turning the head



Selector actuator
Type N-22-S N-30-S



Toggle actuator
Type H-22-S H-30-S

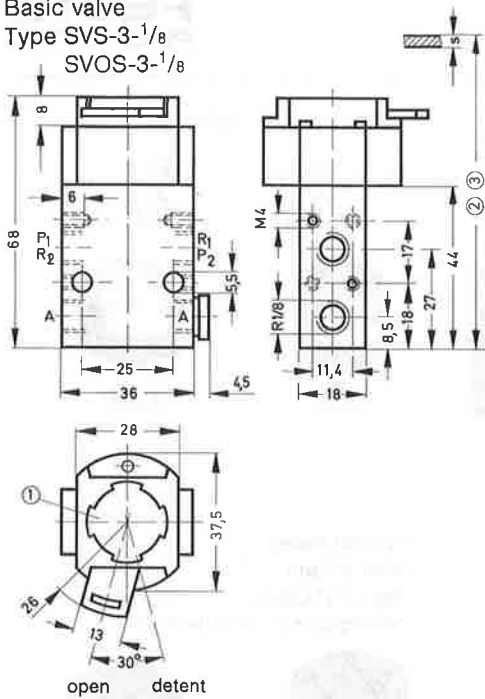


Impact head with detent key return
Type PRS-22-R PRS-30-R Type Q-22 Q-30
* the key can be withdrawn in both switch positions



Order code	Basic valve	10190 SVS-3-1/8	10191 SVOS-3-1/8
Part No./Type	Valve actuators	see table overleaf	
Medium		Compressed air (filtered, lubricated or unlubricated)	
Design		Poppet valve, indirectly actuated in one direction, with return spring	
Mounting		Panel mounting (installation dia. 22.5 and 30.5 mm), also 2 through-holes	
Connection		G 1/8	
Nominal size		3.5 mm	
Standard nominal flow rate (p → A)		120 l/min	
Pressure range		2.8 to 8 bar	
Actuating force at 6 bar operating pressure		8 N (≈ 0.8 kp)	
Temperature range		-10 to +60° C	
Materials		Housing: blue anodized aluminium, plastic; seals: perbunan	
Weight		0.115 kg	

Basic valve
Type SVS-3-1/8
SVOS-3-1/8



Valve actuators

Order code	Colour	Actuating force at 6 bar operating pressure	Weight kg
9289	Black	14 N (≈ 1.4 kp)	0.016
9290	Yellow		
9997	Red		
9293	Black	14 N (≈ 1.4 kp)	0.020
9297	Red	25 N (≈ 2.5 kp)	0.026
9299	Red	23 N (≈ 2.3 kp)	0.083
9301	Black	40 Ncm (≈ 4.0 kpcm)	0.021
9303	Q-22	23 N (≈ 2.3 kp)	0.080
9305	Black	14 Ncm (≈ 1.4 kpcm)	0.019
9291	Black	14 N (≈ 1.4 kp)	0.022
9292	Yellow		
10014	Red		
9295	Black	14 N (≈ 1.4 kp)	0.028
9298	Red	25 N (≈ 2.5 kp)	0.037
9300	Red	23 N (≈ 2.3 kp)	0.091
9302	Black	25 Ncm (≈ 2.5 kpcm)	0.030
9304	Q-30	16 N (≈ 1.6 kp)	0.088
9306	Black	10 Ncm (≈ 1.0 kpcm)	0.027

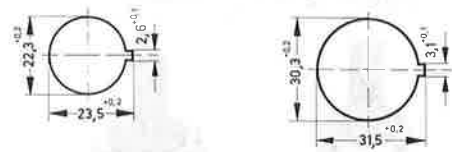
- ① Quick-locking coupling for valve actuators
- ② Installation dimension for 22.5 mm dia: 86 mm
- ③ Installation dimension for 30.5 mm dia: 91 mm
- s = Thickness of panel

In order to achieve either valve function, the other part of the housing can be rotated through 180°.

Installation aperture

Installation dia. 22.5

Installation dia. 30.5



- 1 (P) = Supply port
- 2 (A) = Working or outlet line
- 3 (B) = Exhaust

Set of wearing parts

For Type	SVS-3-1/8
Order code	104 222

Valve actuators

Type T-22

P-22

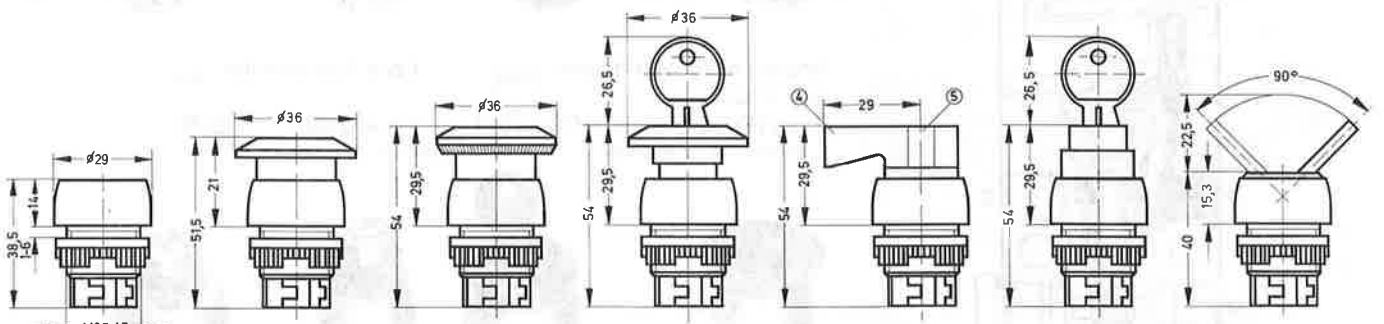
PR-22

PRS-22

N-22

Q-22

H-22



Type T-30

P-30

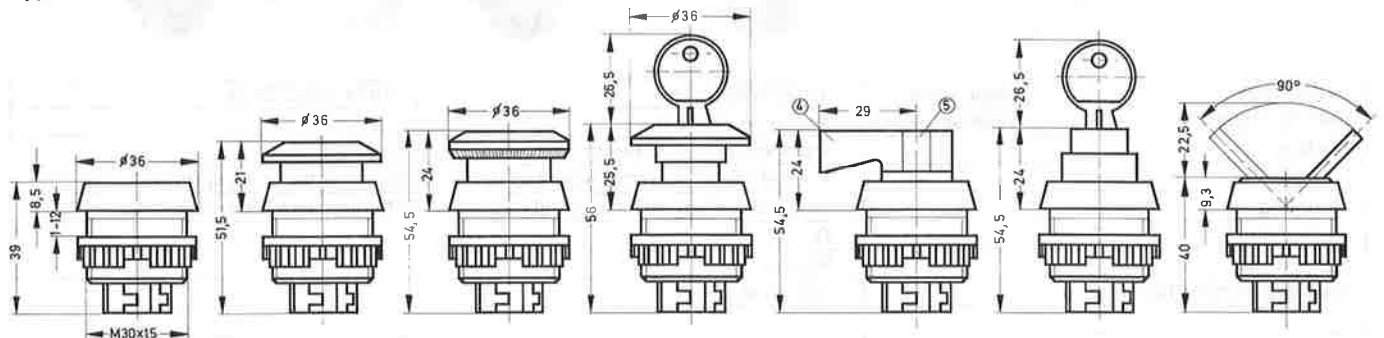
PR-30

PRS-30

N-30

Q-30

H-30



Type PR: The actuator can be unlocked by turning the locking ring on the mushroom head.

Type N: ④ off, ⑤ on

Type PRS: After the pushbutton has been pressed, it remains locked, and can be unlocked only with the key. The key can be removed in both positions.

Type Q: The key actuator can be actuated only by means of the key. The key can be removed in both positions.