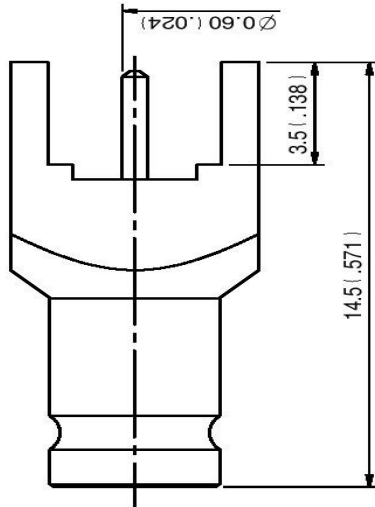
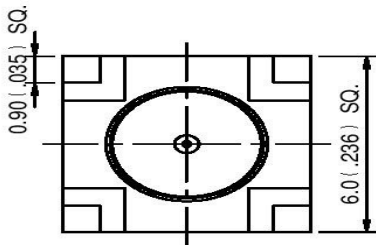
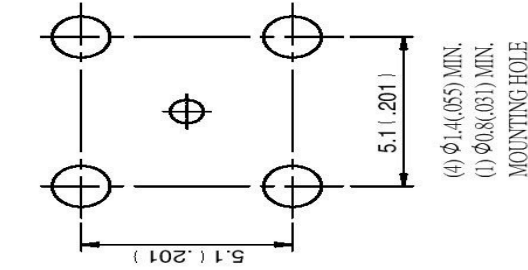
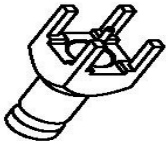


Datasheet  
Stock No:1707021

# RS Pro 1.0/2.3 STRAIGHT PCB MOUNT JACK RECEPTACLE



### 1.0 ELECTRICAL

- 1.1 FREQUENCY RANGE: DC - 6 GHz
- 1.2 NOMINAL IMPEDANCE: 75 OHMS
- 1.3 VOLTAGE RATING: 250 VOLTS MAX.
- 1.4 VSWR: 1.3 MAX.

### 2.0 MATERIALS

- 2.1 BODIES: BRASS PER JIS-C364
- 2.2 CENTER CONTACT: BERYLLIUM COPPER PER ASTM B106 UNS C1730
- 2.3 INSULATION: TEFLON PER ASTM D457 AND ASTM D1710

### 3.0 FINISHES AND OTHERS

- 3.1 SEE BELOW TABLE FOR DETAILS.

### 4.0 MECHANICAL

- 4.1 INTERFACES IN ACCORDANCE WITH: DIN 41626-2

### 5.0 ENVIRONMENTAL

- 5.1 OPERATING TEMPERATURE RANGE: -55 C TO +125 C

NO	DESCRIPTION	MATERIAL	QTY	FINISH
3	INSULATION	TEFLON	1	NONE
2	BODY	BRASS	1	GOLD 3 $\mu$ " MIN.
1	CENTER CONTACT	BERYLLIUM COPPER	1	GOLD 30 $\mu$ " MIN.

APPROVED by DATE: \_\_\_\_\_

DESCRIPTION	1.0/2.3 STRAIGHT PCB MOUNT JACK RECEPTACLE			
DRAWN	品名	40470208300003	日	REV.
Jacke	TITLE	ROHS COMPLIANT (75 $\Omega$ )	期	版次
CHECK	UNIT	DWG.NO. 47-0026-Z		A-0
Arc	mm(m)			
APPROVAL	SCALE			
Jenny	ANGLE $\pm$ 5°	6:1		