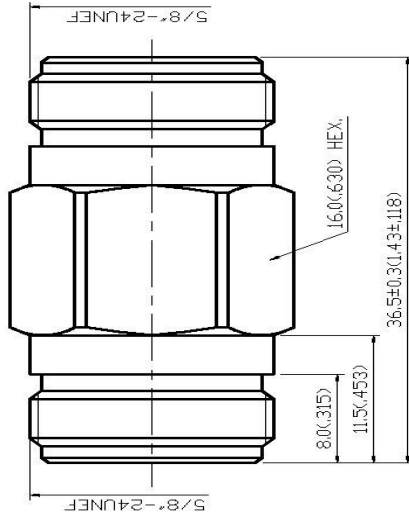


Datasheet

Stock No:1706991

# RS Pro N STRAIGHT JACK-JACK ADAPTER

NO	DESCRIPTION	DATE
△	61-23/R61-023-00-00B1210.JF → 40611206100001	02.02.18



**1.0 ELECTRICAL**

- 1.1 FREQUENCY RANGE: DC-11 GHz
- 1.2 NOMINAL IMPEDANCE: 50 OHM
- 1.3 VOLTAGE RATING: 1000 VOLTS MAX.
- 1.4 VSWR: 1.1 MAX.@6GHz  
1.3 MAX.@11GHz

**2.0 MATERIALS**

- 2.1 BODIES: BRASS PER JIS-C3604
- 2.2 CENTER CONTACT: BERYLLIUM COPPER PER ASTM B196 UNS C17800
- 2.3 INSULATION: TEFLON PER ASTM D1457 AND ASTM D1710

**3.0 FINISHES AND OTHERS**

- 3.1 SEE BELOW TABLE FOR DETAILS.

**4.0 MECHANICAL**

- 4.1 INTERFACE IN ACCORDANCE WITH: MIL-STD-346A

**5.0 ENVIRONMENTAL**

- 5.1 OPERATING TEMPERATURE RANGE: -65° C TO +165° C

NO	DESCRIPTION	MATERIAL	Q'TY	FINISH
4	INSULATION	TEFLON	1	NONE
3	CENTER CONTACT	BERYLLIUM COPPER	1	GOLD 3 μ" MIN.
2	BODY	BRASS	1	WHITE BRONZE 80 μ" MIN.
1	CHASSIS	BRASS	1	WHITE BRONZE 80 μ" MIN.

APPROVED by \_\_\_\_\_ DATE: \_\_\_\_\_

DESCRIPTION	N STRAIGHT JACK-JACK ADAPTER	
DRAWN	TOLERANCE	品名
Jackie	±0.2	40611206100001/△
CHECK	±0.1	TITLE
A7c	±0.05	ROHS COMPLIANT <500>
APPROVAL	XXX	UNIT
Jenny	ANGLE ±5°	mm(in)
	SCALE	DWG.NO.
	3:1	61-0006-Z
		DATE
		12.27.12
		REV.
		A-1