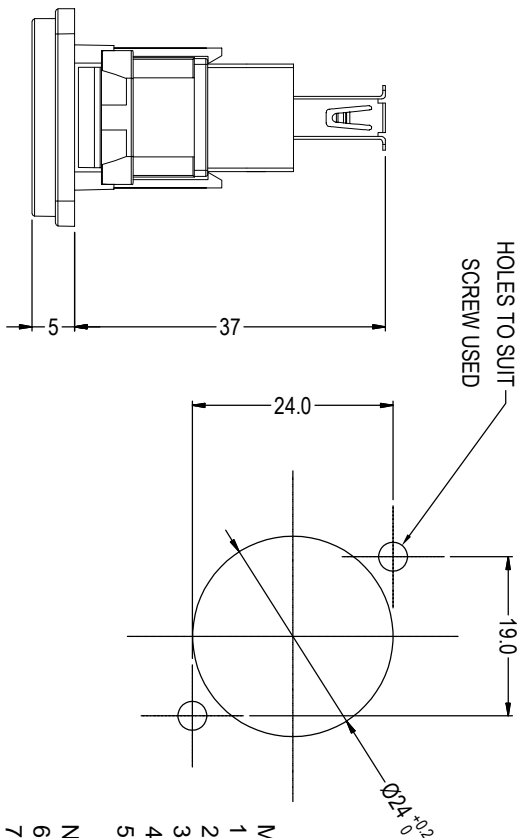
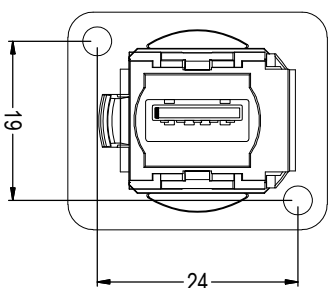
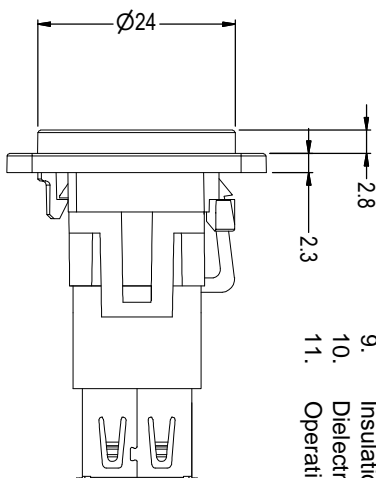
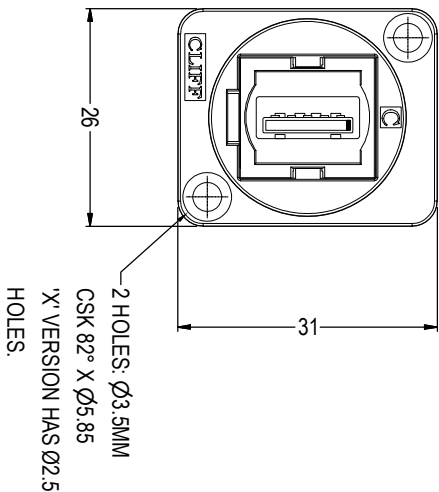


PANEL CUTOUT
MAXIMUM PANEL
THICKNESS 3MM



- Material:
1. Insert: ABS UL94 HB
 2. Frame: Polyamide UL94 V-2
 3. Inner Overmoldings: PE + PVC
 4. Shell: Nickel plated steel
 5. Contacts: Gold Plated

- Notes:
6. Voltage rating: 30V ac
 7. Current rating: 1.5 A max
 8. Contact resistance: 50mΩ max
 9. Insulation resistance: 20MΩ min
 10. Dielectric withstanding voltage: 500V AC
 11. Operating Temperature: -20°C to 50°C



ROHS
COMPLIANT

TOLERANCE

- NO DEC. PLACE ±
- 1 DEC. PLACE ±
- 2 DEC. PLACE ±
- HOLE Ø ±
- ANGLES ±
- UNLESS OTHERWISE STATED

DO NOT SCALE

DIMENSIONS IN MILLIMETERS UNLESS OTHERWISE STATED. WORK TO DIMENSIONS. REMOVE ALL BURRS. IF IN DOUBT ASK.
MATERIAL: SEE NOTES
FINISH: SEE NOTED
DRAWN: TJO

APPROVED: D.P.J.

TITLE: FEED THROUGH USB 2.0A to USB 2.0A, Nickel Plated
DRWG. No. **RS30208N (874-1204)**

FORM: A4DRWG

ISS.	AMENDU	DATE
1	1st DRAWN	15/5/18