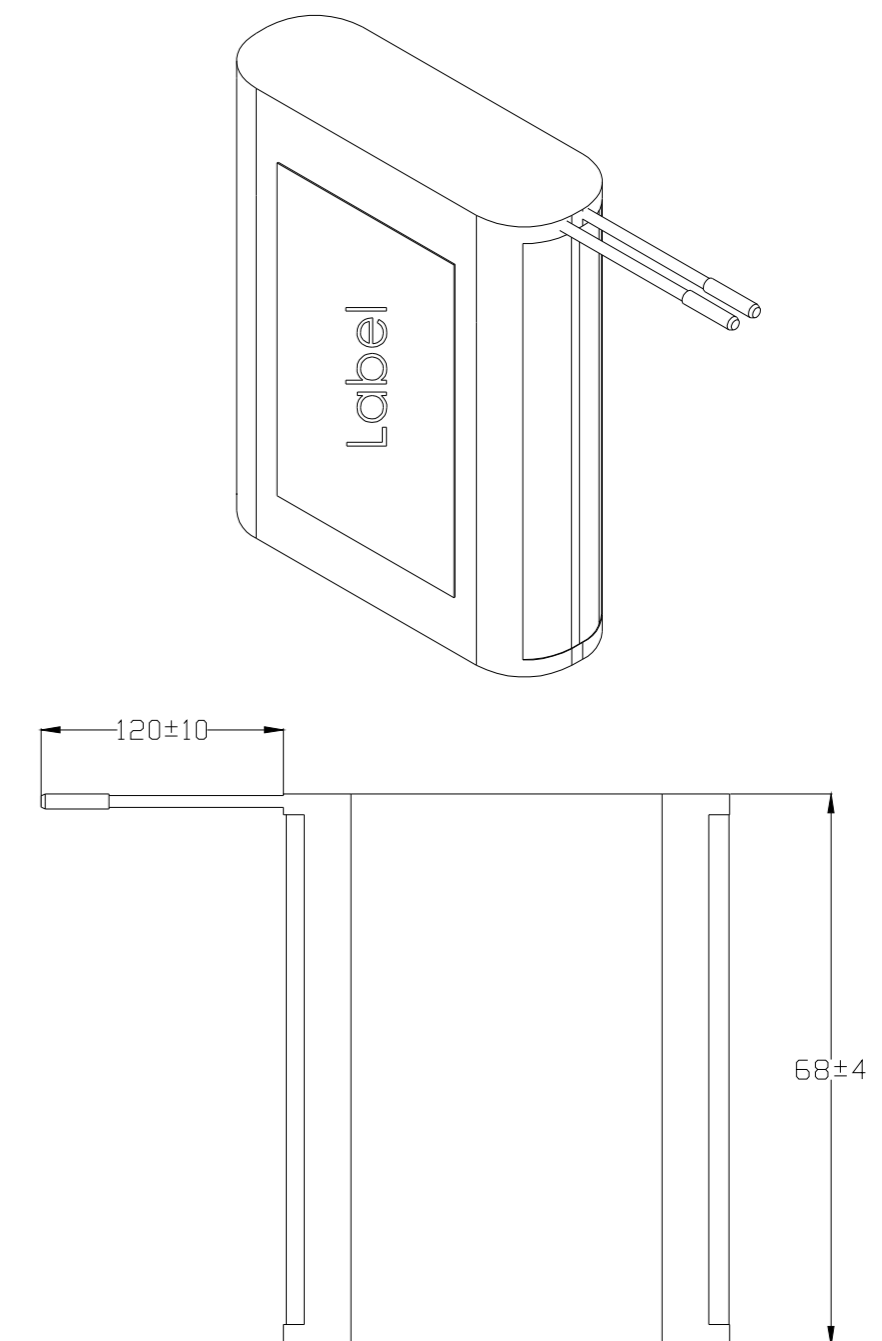
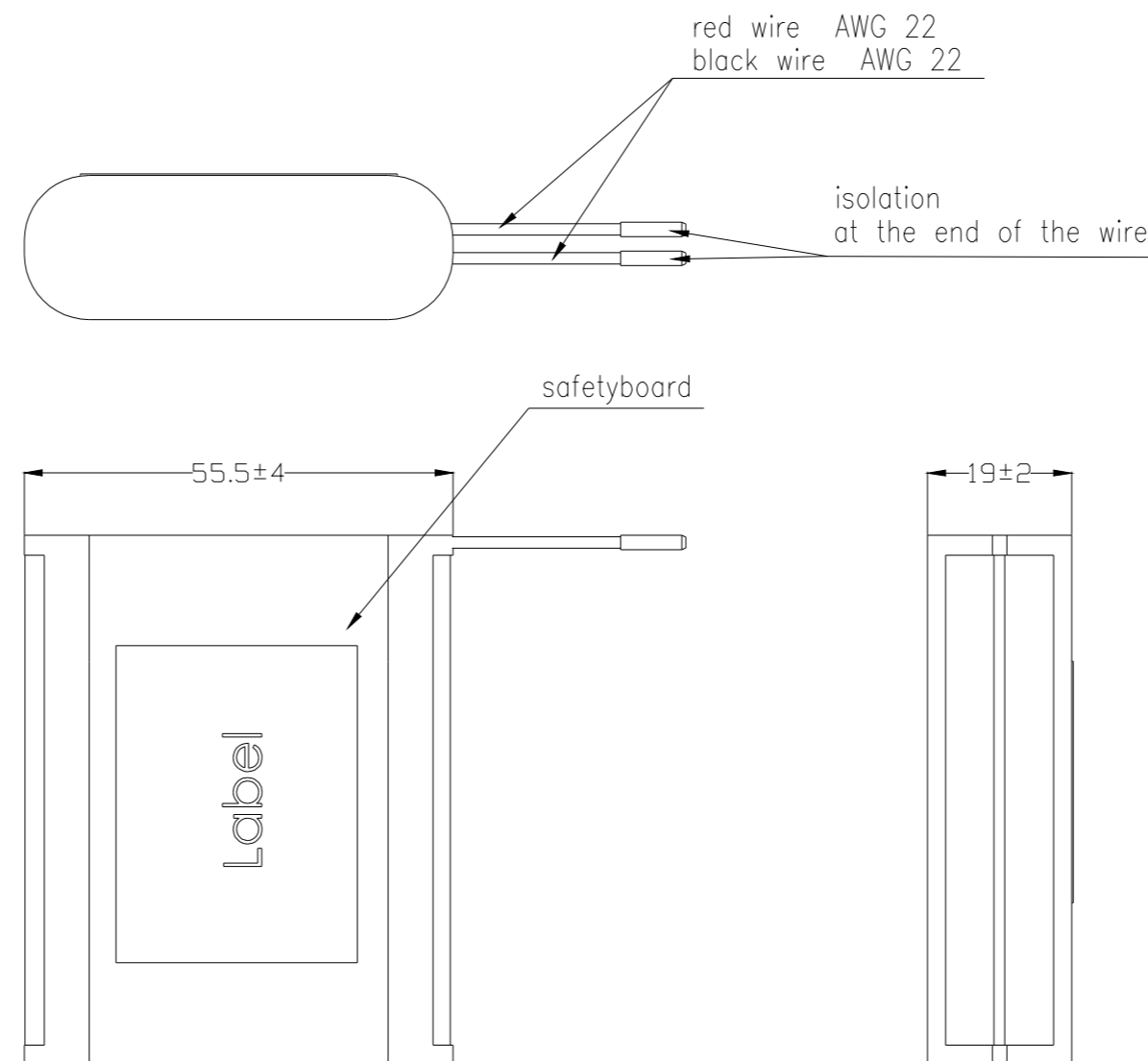


The supplier acknowledges that, with the acceptance of this drawing, he is in a position to manufacture the component in accordance with the drawing in reproducible quantities. The drawing is not to be used for the production of individual components. The drawing is not to be used for the production of individual components. The drawing is not to be used for the production of individual components.

- Technische Daten/
technical data : Akkupack/
batterypack
- Chemie/
chemistry : Lithium Ion
- Zellenzahl/
no. of cells : 3 Zellen/ cells ICR18650 LGC B4 ; 1S3P
- Kapazität/
capacity : nom. 7800mAh discharge at 0.2C
min. 7500mAh discharge at 0.2C
ta:20°C; EV(Discharge End Voltage): 2.75V per cell
- Innenwiderstand/
impedance : < 70mOhm (battery and safetyboard)
- Nominalspannung/
nominal voltage : 3.7V
- Standard Ladespannung/
standard charge voltage : 4.2V±1%
- Standard Entladespannung/
standard discharge voltage : 2.75V
- Nominaler Ladestrom/
nominal charge current : 3000mA (limited by safetyboard)
- Maximaler Ladestrom/
maximum charge current : 3000mA (limited by safetyboard)
- Ladeendstrom/
charge end current : 0.01C recommended
- Maximaler Entladestrom/
maximum discharge current : 3000mA (limited by safetyboard)
- Anwendungstemperaturbereich/
ambient temperature range : 0°C...+45°C charge
-20°C...+60°C discharge
-20°C...+30°C storage max. 1 year
-20°C...+45°C storage max. 3months
- Selbstentladung/
self discharge : ≤ 5% / month at20°C
≤ 10% / month at30°C
≤ 20% / month at40°C
- Standards/ : UN 3480, Subsection 38.3
All cells and batterypacks type tested according
to UN manual of test and criteria subsection 38.3

- Technische Daten/
technical data : Sicherheitsschaltung/
safety board
- Überladeschutzspannung/
over charge voltage detection : 4.25V±25mV per cell
- Wiedereinschaltspannung/
over charge release voltage : 4.05V±50mV per cell
- Entladeabschaltspannung/
over discharge detection voltage : 2.5V±62mV per cell
- Wiedereinschaltspannung/
over discharge release voltage : 2.85V±250mV per cell
- Nominaler Lade/Entladestrom/
nominal operating current : 3A
- Entlade Abschaltstrom/
discharge cut off current : 8.5A± 2A
- Kurzschlusschutz/
short circuit protection : gegen äußeren Kurzschluss/
against external short circuit
- Temperaturerhalter/
temperature switch : ---
- MOSFET : in Masse
in Gnd

- Rückstellkriterium/
release condition : Last trennen, Aktiv nach Anladen/
cut load, release after charging up
- Nettogewicht/
net weight : 140g
- Leiterplattenmaterial/
pcb material : FR4
- Standards : CE



batterypack covered with 1 layer of blue shrinktube

Verwendungsbereich/Application range für Anfrage/for inquiry		Zut. Abweichung/ Allowable deviation	Oberfläche/ Surface	Maßstab/Scale (DIN A2): 1:1	Gewicht/Weight
		Allgemeintoleranz DIN ISO 2768-m		Werkstoff/Work material, Modell-Nr.	
		2015 Datum/Date	Name	Zeichnungsname/Drawing name	
		Erstellt/ Drawn by	25.06.	JH	Li-Ion Battery 3.7V 7800mAh with safetyboard
		ANSMANN			Zeichnungsnummer/Drawing number Artikelnummer/Part number
V1 updated datasheet		21.09.17	MSt	2447-3006-520	
Version	Anderung/Change	Datum/Date	Name	Ursprung/Origin	Ersatz für/Replaced by Ersatz durch/Replacement through
				Blatt/ Sheet	1