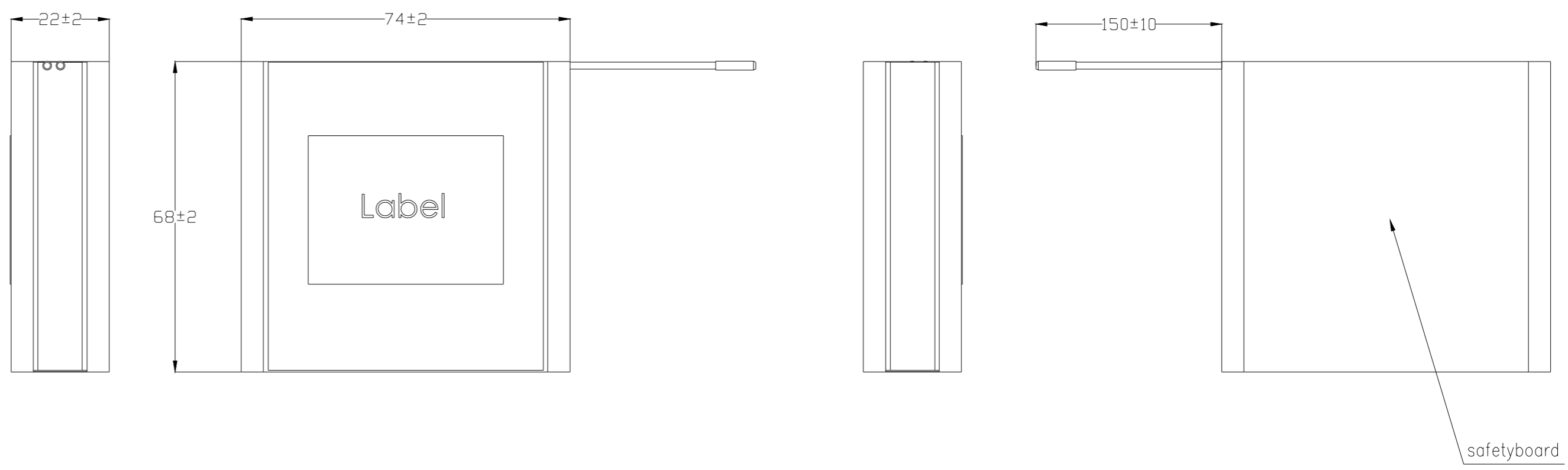
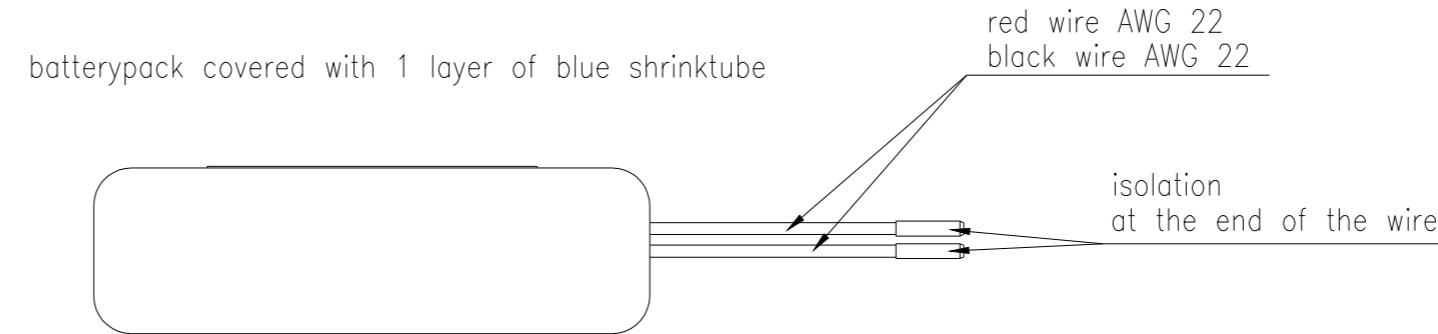
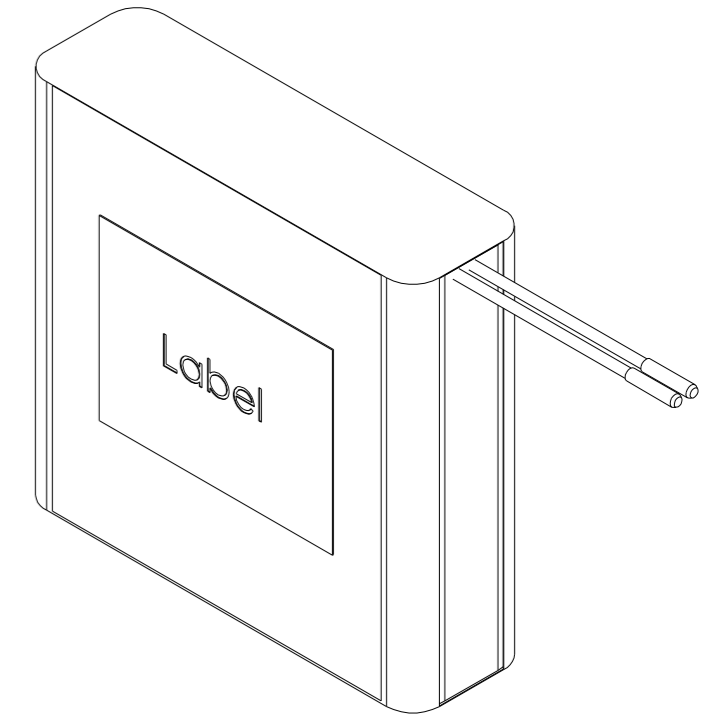


The supplier acknowledges that, with the acceptance of this drawing, he is in a position to manufacture the component in accordance with the drawing in reproducible quantities. The drawing is not to be used for the manufacture of individual components. Verbal agreements over and above this rule must be signed by the purchaser.

Technische Daten/ technical data : Akkupack/ battery pack
 Chemie/ chemistry : Lithium Ion
 Zellenzahl/ no. of cells : 4 Zellen/ cells ICR18650 LGC B4 ; 4S1P
 Kapazität/ capacity : nom. 2600mAh discharge at 0.2C
 min. 2500mAh discharge at 0.2C
 ta:20°C; EV(Discharge End Voltage): 2.75V per cell
 Innenwiderstand/ impedance : < 320mOhm (battery and safetyboard)
 Nominalspannung/ nominal voltage : 14.8V
 Standard Ladespannung/ standard charge voltage : 16.8V±1%
 Standard Entladespannung/ standard discharge voltage : 11V
 Nominaler Ladestrom/ nominal charge current : 0.5C
 Maximaler Ladestrom/ maximum charge current : 1C
 Ladeendstrom/ charge end current : 0.01C recommended
 Maximaler Entladestrom/ maximum discharge current : 4000mA (limited by safetyboard)
 Anwendungstemperaturbereich/ ambient temperature range : 0°C...+45°C charge
 -20°C...+60°C discharge
 -20°C...+30°C storage max. 1 year
 -20°C...+45°C storage max. 3months
 Selbstentladung/ self discharge : ≤ 5% / month at20°C
 ≤ 10% / month at30°C
 ≤ 20% / month at40°C
 Standards/ : UN 3480, Subsection 38.3
 All cells and battery packs type tested according to UN manual of test and criteria subsection 38.3

Technische Daten/ technical data : Sicherheitsschaltung/ safety board
 Überladeschutzspannung/ over charge voltage detection : 4.325V±75mV per cell
 Wiedereinschaltspannung/ over charge release voltage : 4.15V±50mV per cell
 Entladeabschaltspannung/ over discharge detection voltage : 2.4V±80mV per cell
 Wiedereinschaltspannung/ over discharge release voltage : 3V±100mV per cell
 Nominaler Lade/Entladestrom/ nominal operating current : 4A
 Entlade Abschaltstrom/ discharge cut off current : 15A± 5A
 Kurzschlusschutz/ short circuit protection : gegen äußeren Kurzschluss/ against external short circuit
 Temperaturumschalter/ temperature switch : ---
 MOSFET : im Pluszweig/ in positive path
 Rückstellkriterium/ release condition : Last trennen, Aktiv nach Anladen/ cut load, release after charging up
 Nettogewicht/ net weight : 190g
 Leiterplattenmaterial/ pcb material : FR4
 Standards : CE



Verwendungsbereich/Application range für Anfrage/for inquiry		Zut. Abweichung/ Allowable deviation	Oberfläche/ Surface	Maßstab/Scale (DIN A2): 1:1	Gewicht/Weight
		Allgemeintoleranz DIN ISO 2768-m		Werkstoff/Work material, Modell-Nr.	
		2015 Datum/Date	Name	Zeichnungsname/Drawing name	
		Erstellt/ Drawn by	26.06.	JH	Li-Ion Battery 14.8V 2600mAh with safetyboard
		Zeichnungsnummer/Drawing number Artikelnummer/Part number			Blatt/ Sheet
		2447-3003-520			1
V1	updated datasheet	06.09.17	MSt	Ersatz für/Replaced by	
Version	Anderung/Change	Datum/Date	Name	Ursprung/Origin	Ersatz durch/Replacement through

