

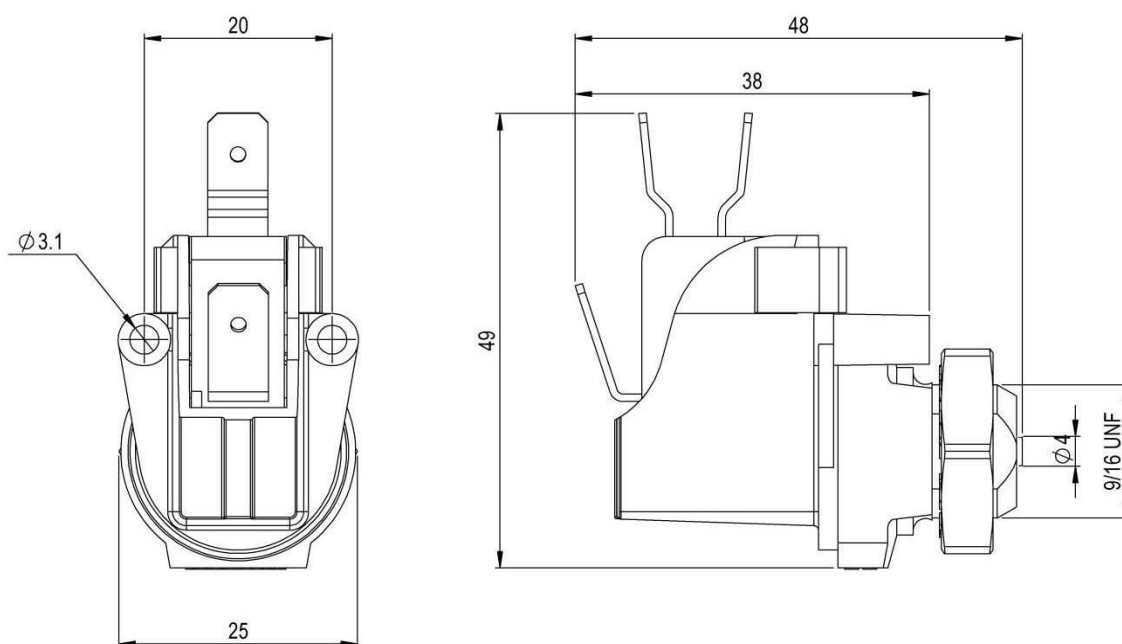


Datasheet

ENGLISH

SPCO Through Panel Momentary Air Switch

RS Stock No. 319-720



FEATURES:

- Single pole changeover switch
- Electrical rating 16A 250V AC
- Back entry 4mm spout
- Use with 3mm I/D tubing

Operating pressure is approximately 1PSI but may vary slightly due to moulding and production tolerances