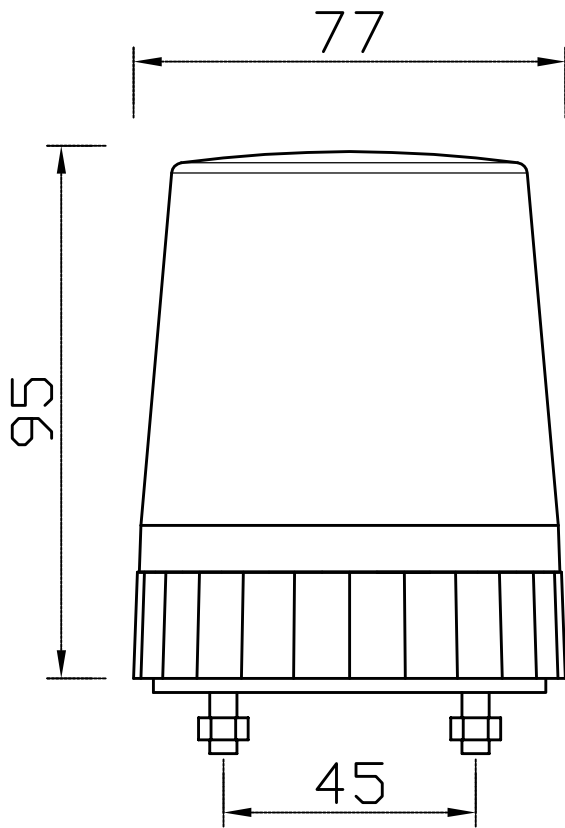
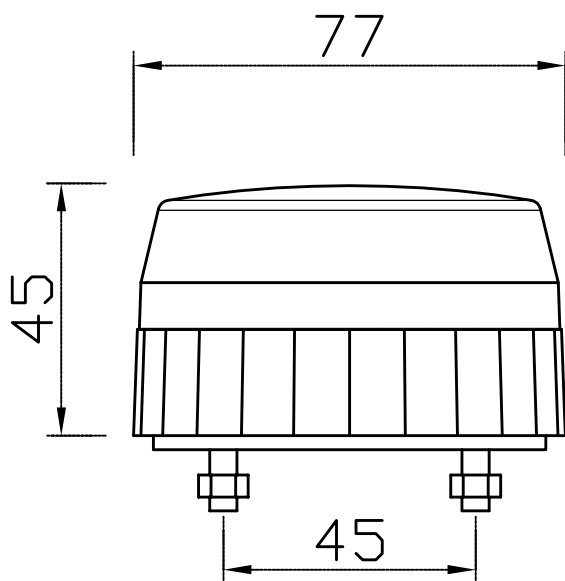


DC LED BEACON

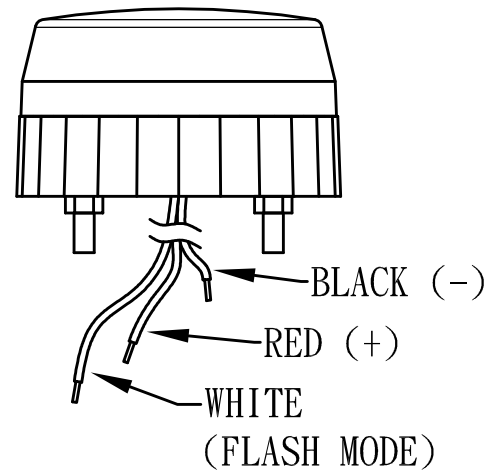
TECHNICAL DATA SHEET



LLT Beacon



LLP Beacon



- Operating Voltage: 10V-130V DC
- Current Draw: Max 0.1 Amps @ 12VDC
- SMT 5050 3-CHIP PLCC LED
- Working Temperature: $-25^{\circ}\text{C} \sim 75^{\circ}\text{C}$
- Colour: Amber, Red, Blue, Green And Clear LED or Lens
- Flash Mode:
 1. Quad (60 FPM)
 2. Double (90 FPM)
 3. Single (120 FPM)
 4. Static ON
- To change the flash mode, bridge white and red wires for 0.5 second to 1 second.
- Connect white and red wires over 1 second, the light will stay on Static Mode.