

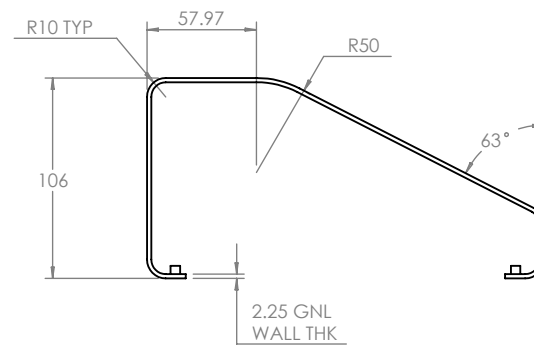
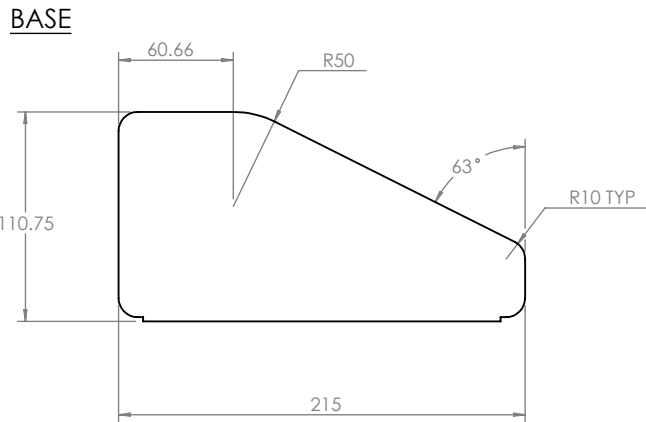
RUBBER FEET

M3 SCREW

ISO VIEW  
1:8

4x M3 TAPPED

LID



**CAMDENBOSS**  
ELECTRONICS & ENCLOSURES

JAMES CARTER RD, MILDENHALL, SUFFOLK, IP28 7DE  
TEL: 01638 716101 FAX: 01638 716554  
EMAIL: SALES@CAMDENBOSS.COM  
WEB: WWW.CAMDENBOSS.COM

UNLESS OTHERWISE SPECIFIED:  
DIMENSIONS ARE IN MILLIMETERS

DO NOT SCALE DRAWING

REVISION: 0

TITLE:

ASSEMBLY DRG FOR 2702

FINISH:  
TEXTURED PAINT

	NAME	SIGNED	DATE
DRAWN	S.HARDINGE	SJH	01/03/07
CHKD	-	-	-

MATERIAL:  
ALUMINIUM

DWG NO.

2702

A4

PROJECTION.

SCALE: 1 : 4

SHEET 1 OF 1