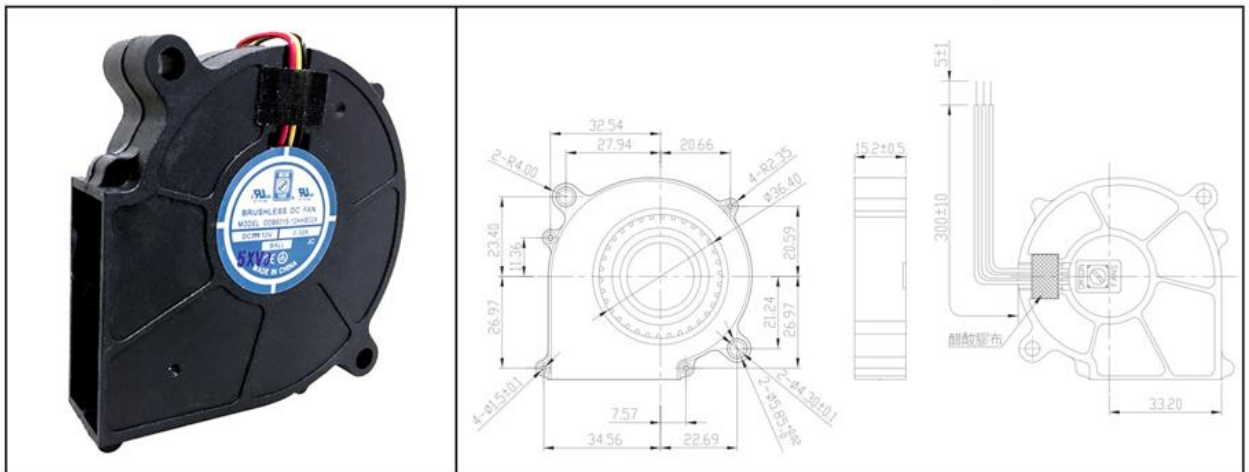


# RS Pro DC Blower

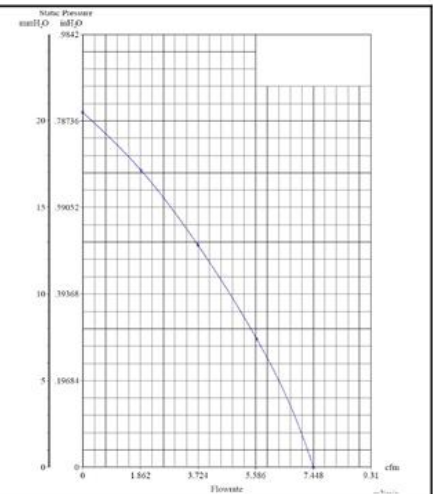
ODB6015-12HHB02A

DC Blower 12V

60x15mm (2.36"x .59")



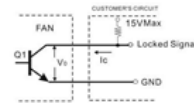
Frame & Impeller	PBT, UL94V-O plastic	Options Available	<p>Tachometer</p> <p>Weight: ~ 35 g</p> <p>* Connection UL1571, 28AWG, ~320mm Red (+) Black (-) Yellow Alarm</p>
Connecion	3x Lead wires *		
Motor	Brushless DC, auto restart, polarity protected.		
Bearing System	Dual ball bearing		
Insulation Resistance	Min. 10M at 500VDC		
Dielectric Strength	1 minute at 500 VAC, max leakage < 500 MicroAmp		
Temperature Range	-10C ~ +70C		
Storage Temperature	-40C ~ +80C		
Life (L10)	70,000 hours (40C)	m1	





Part Number	ODB6015-12HHB02A
Nominal Voltage	12V DC
Voltage Range	7 ~ 13.2V DC
Nominal Current	.20 A
Rated Power	3.84 W
Rated Speed (RPM)	5000
Airflow (CFM)	7.45
Noise Level (dB)	44
Max. Static Pressure	.80" H <sub>2</sub> O

Output of locked signal  
 \*Output type.....Open collector type  
 \*Electrical design suggestion:  
 (External signal function design is decided by customer)



\*Transistor Q1 at "ON" position  
 Collector current..... $I_c=5\text{mA Max}$   
 Saturation Voltage..... $V_{ce}=1.0\text{V Max}$   
 (Between Collector and Emitter at  $I_c=5\text{mA}$ )  
 \*Transistor Q1 at "OFF" position  
 Release Voltage..... $V_{ce}=15\text{V Max}$

