

# CFast 3IE4

**Customer:** \_\_\_\_\_  
**Customer**  
**Part**  
**Number:** \_\_\_\_\_  
**Innodisk**  
**Part**  
**Number:** \_\_\_\_\_  
**Innodisk**  
**Model Name:** \_\_\_\_\_  
**Date:** \_\_\_\_\_

<b>Innodisk Approver</b>	<b>Customer Approver</b>

**Total Solution For  
Industrial Flash Storage**

## Table of contents

<b>REVISION HISTORY</b> .....	4
<b>LIST OF TABLES</b> .....	5
<b>LIST OF FIGURES</b> .....	6
<b>1. PRODUCT OVERVIEW</b> .....	7
<b>1.1 INTRODUCTION OF INNODISK CFAST 3IE4</b> .....	7
<b>1.2 PRODUCT VIEW AND MODELS</b> .....	7
<b>1.3 SATA INTERFACE</b> .....	7
<b>1.4 CFAST 2.0 FORM FACTOR</b> .....	8
<b>2. PRODUCT SPECIFICATIONS</b> .....	9
<b>2.1 CAPACITY AND DEVICE PARAMETERS</b> .....	9
<b>2.2 PERFORMANCE</b> .....	9
<b>2.3 ELECTRICAL SPECIFICATIONS</b> .....	9
<b>2.3.1 Power Requirement</b> .....	9
<b>2.3.2 Power Consumption</b> .....	9
<b>2.4 ENVIRONMENTAL SPECIFICATIONS</b> .....	10
<b>2.4.1 Temperature Ranges</b> .....	10
<b>2.4.2 Humidity</b> .....	10
<b>2.4.3 Shock and Vibration</b> .....	10
<b>2.4.4 Mean Time between Failures (MTBF)</b> .....	10
<b>2.5 CE AND FCC COMPATIBILITY</b> .....	11
<b>2.6 RoHS COMPLIANCE</b> .....	11
<b>2.7 RELIABILITY</b> .....	11
<b>2.8 TRANSFER MODE</b> .....	11
<b>2.9 PIN ASSIGNMENT</b> .....	12
<b>2.10 MECHANICAL DIMENSIONS</b> .....	13
<b>2.11 ASSEMBLY WEIGHT</b> .....	13
<b>2.12 SEEK TIME</b> .....	13
<b>2.13 HOT PLUG</b> .....	13
<b>2.14 NAND FLASH MEMORY</b> .....	13
<b>3. THEORY OF OPERATION</b> .....	14
<b>3.1 OVERVIEW</b> .....	14
<b>3.2 SATA III CONTROLLER</b> .....	14
<b>3.3 ERROR DETECTION AND CORRECTION</b> .....	14
<b>3.4 WEAR-LEVELING</b> .....	14
<b>3.5 BAD BLOCKS MANAGEMENT</b> .....	15
<b>3.6 POWER CYCLING</b> .....	15
<b>3.7 GARBAGE COLLECTION</b> .....	15

<b>4. INSTALLATION REQUIREMENTS .....</b>	<b>16</b>
<b>4.1 CFAST 3IE4 PIN DIRECTIONS .....</b>	<b>16</b>
<b>4.2 ELECTRICAL CONNECTIONS FOR CFAST 3IE4.....</b>	<b>16</b>
<b>4.3 WRITE PROTECTION (OPTIONAL).....</b>	<b>16</b>
<b>4.4 DEVICE DRIVE .....</b>	<b>16</b>
<b>5. SMART FEATURE SET .....</b>	<b>17</b>
<b>5.1 SMART ATTRIBUTES.....</b>	<b>17</b>
<b>6. PART NUMBER RULE .....</b>	<b>18</b>
<b>7. APPENDIX.....</b>	<b>19</b>

## REVISION HISTORY

Revision	Description	Date
Preliminary 1.0	First Released	FEB. 2017
Rev. 1.0	Add TBW Information	APR. 2017

## List of Tables

<b>TABLE 1: DEVICE PARAMETERS</b> .....	9
<b>TABLE 2: PERFORMANCE</b> .....	9
<b>TABLE 4: INNODISK CFAST 3IE4 POWER REQUIREMENT</b> .....	9
<b>TABLE 5: POWER CONSUMPTION</b> .....	10
<b>TABLE 6: TEMPERATURE RANGE FOR CFAST 3IE4</b> .....	10
<b>TABLE 7: SHOCK/VIBRATION TESTING FOR CFAST 3IE4</b> .....	10
<b>TABLE 8: CFAST 3IE4 MTBF</b> .....	10
<b>TABLE 9: CFAST 3IE4 TBW</b> .....	11
<b>TABLE 10: INNODISK CFAST 3IE4 PIN ASSIGNMENT</b> .....	12
<b>TABLE 11: SMART COMMAND</b> .....	17
<b>TABLE 12: SMART ATTRIBUTE</b> .....	17

## List of Figures

<b>FIGURE 1: INNODISK CFAST 3IE4</b> .....	7
<b>FIGURE 2: INNODISK CFAST 3IE4 BLOCK DIAGRAM</b> .....	14
<b>FIGURE 3: SIGNAL SEGMENT AND POWER SEGMENT</b> .....	16

# 1. Product Overview

## 1.1 Introduction of Innodisk CFast 3IE4

Innodisk CFast 3IE4 is iSLC series which is designed to outdo the endurance, performance and reliability of MLC-based solutions. Through the use of flash management algorithms, iSLC improves SSD endurance up to 20,000 times, increasing lifespans up to 7 times longer than MLC-based solutions. In addition, iSLC improves the performance of solid state drives, with similar write performance of SLC-based solutions. The Innodisk iSLC series is cost efficient, boasting excellent benefits at only half the price of SLC-based solutions.

Innodisk CFast 3IE4 is characterized by L3 architecture with the latest SATA III (6.0GHz) Marvell NAND controller. Innodisk's exclusive L3 architecture is L2 architecture multiplied LDPC (Low Density Parity Check). L2 (Long Life) architecture is a 4K mapping algorithm that reduces WAF and features a real-time wear leveling algorithm to provide high performance and prolong lifespan with exceptional reliability.

Innodisk CFast 3IE4 is designed for industrial field, and supports several standard features, including TRIM, NCQ, and S.M.A.R.T. In addition, Innodisk's exclusive industrial-oriented firmware provides a flexible customization service, making it perfect for a variety of industrial applications.

## 1.2 Product View and Models

Innodisk CFast 3IE4 is available in follow capacities within MLC flash ICs.

[CFast 3IE4 08GB](#)

[CFast 3IE4 64GB](#)

[CFast 3IE4 16GB](#)

[CFast 3IE4 128GB](#)

[CFast 3IE4 32GB](#)



**Figure 1: Innodisk CFast 3IE4**

## 1.3 SATA Interface

Innodisk CFast 3IE4 supports SATA III interface, and compliant with SATA I and SATA II. SATA III interface can work with Serial Attached SCSI (SAS) host system, which is used in server computer. Innodisk CFast 3IE4 is compliant with Serial ATA Gen 1, Gen 2 and Gen 3 specification (Gen 3

supports 1.5Gbps /3.0Gbps/6.0Gbps data rate).

#### **1.4 CFast 2.0 Form Factor**

CFast 3IE4 compliant with CFast 2.0 standard, it is designed with 7+17 pin connector and is SATA compatible. CFast 2.0 leverage the same connector interface as CFast 1.1 and the SATA-3 interface for higher performance. CFast 3IE4 mechanical dimensions: 42.8mm x 36.4mm x 3.6mm.



## 2. Product Specifications

### 2.1 Capacity and Device Parameters

CFast 3IE4 device parameters are shown in Table 1.

**Table 1: Device parameters**

Capacity	LBA	Cylinders	Heads	Sectors	User Capacity
8GB	15649200	15525	16	63	7641MB
16GB	31277232	16383	16	63	15272MB
32GB	62533296	16383	16	63	30533MB
64GB	125045424	16383	16	63	61057MB
128GB	250069680	16383	16	63	122104MB

### 2.2 Performance

Burst Transfer Rate: 6.0Gbps

**Table 2: Performance**

Capacity	8GB		16GB	32GB	64GB	128GB
	1CH	2CH				
Sequential* Read (max.)	250 MB/s	290 MB/s	500 MB/s	530 MB/s	530 MB/s	530 MB/s
Sequential* Write (max.)	80 MB/s	200 MB/s	160 MB/s	300 MB/s	360 MB/s	360 MB/s
4KB Random** Read(QD32)	12,000 IOPS	18,000 IOPS	23,000 IOPS	30,000 IOPS	31,000 IOPS	31,000 IOPS
4KB Random** Write(QD32)	12,000 IOPS	27,000 IOPS	27,000 IOPS	30,000 IOPS	31,000 IOPS	31,000 IOPS

Note: \* Sequential performance base on CrystalDiskMark 5.1.2 with file size 1000MB

\*\*Random performance based on IO meter with Queue Depth 32

### 2.3 Electrical Specifications

#### 2.3.1 Power Requirement

**Table 3: Innodisk CFast 3IE4 Power Requirement**

Item	Symbol	Rating	Unit
Input voltage	V <sub>IN</sub>	+3.3 DC +- 5%	V

#### 2.3.2 Power Consumption

**Table 4: Power Consumption**

Mode	Power Consumption (mA)
Read	130 (max.)
Write	230 (max.)
Idle	110 (max.)
Peak Current	530 (max.)

## 2.4 Environmental Specifications

### 2.4.1 Temperature Ranges

**Table 5: Temperature range for CFast 3IE4**

Temperature	Range
Operating	Standard Grade: 0°C to +70°C
	Industrial Grade: -40°C to +85°C
Storage	-55°C to +95°C

### 2.4.2 Humidity

Relative Humidity: 10-95%, non-condensing

### 2.4.3 Shock and Vibration

**Table 6: Shock/Vibration Testing for CFast 3IE4**

Reliability	Test Conditions	Reference Standards
Vibration	7 Hz to 2K Hz, 20G, 3 axes	IEC 60068-2-6
Mechanical Shock	Duration: 0.5ms, 1500 G, 3 axes	IEC 60068-2-27

### 2.4.4 Mean Time between Failures (MTBF)

Table 7 summarizes the MTBF prediction results for various CFast 3IE4 configurations. The analysis was performed using a RAM Commander™ failure rate prediction.

- **Failure Rate:** The total number of failures within an item population, divided by the total number of life units expended by that population, during a particular measurement interval under stated condition.
- **Mean Time between Failures (MTBF):** A basic measure of reliability for repairable items: The mean number of life units during which all parts of the item perform within their specified limits, during a particular measurement interval under stated conditions.

**Table 7: CFast 3IE4 MTBF**

Product	Condition	MTBF (Hours)
Innodisk CFast 3IE4	Telcordia SR-332 GB, 25°C	>3,000,000

### 2.5 CE and FCC Compatibility

CFast 3IE4 conforms to CE and FCC requirements.

### 2.6 RoHS Compliance

CFast 3IE4 is fully compliant with RoHS directive.

### 2.7 Reliability

**Table 8: CFast 3IE4 TBW**

Parameter		Value
Read Cycles		Unlimited Read Cycles
Flash endurance		20,000 P/E cycles
Wear-Leveling Algorithm		Support
Bad Blocks Management		Support
Error Correct Code		Support
<b>TBW* (Total Bytes Written) Unit: TB</b>		
Capacity	Sequential workload	Client workload
08GB	156.3	104.2
16GB	312.5	208.3
32GB	625.0	416.7
64GB	1250.0	833.3
128GB	2500.0	1388.9
* Note: <ol style="list-style-type: none"> <li>1. Sequential: Mainly sequential write.</li> <li>2. Client: Follow JESD218 Test method and JESD219A Workload, tested by ULINK. (The capacity lower than 64GB client workload is not specified in JEDEC219A, the values are estimated.)</li> <li>3. Based on out-of-box performance.</li> </ol>		

### 2.8 Transfer Mode

CFast 3IE4 support following transfer mode:

Serial ATA III 6.0Gbps

Serial ATA II 3.0Gbps

Serial ATA I 1.5Gbps

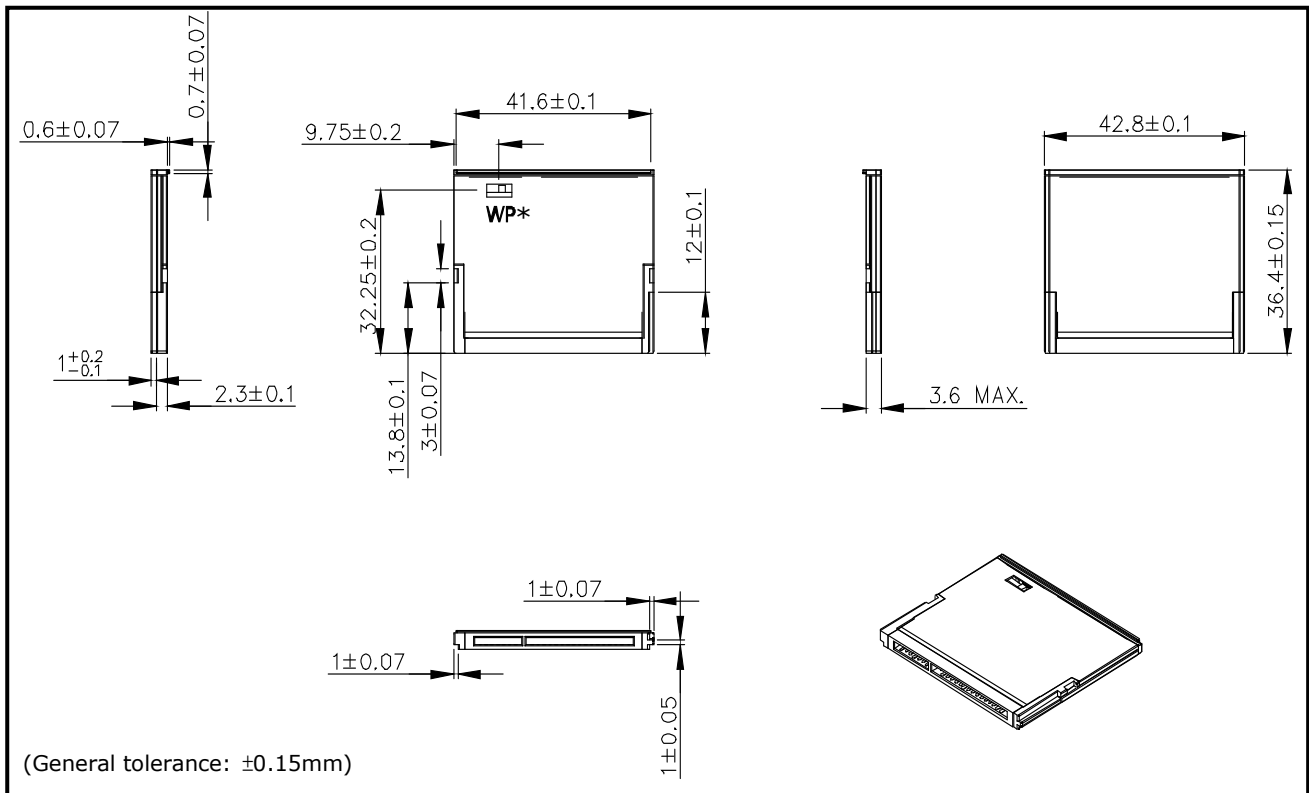
## 2.9 Pin Assignment

Innodisk CFast 3IE4 uses a standard SATA pin-out. See Table 9 for CFast 3IE4 pin assignment.

**Table 9: Innodisk CFast 3IE4 Pin Assignment**

Name	Type	Description
S1	SGND	Ground for signal integrity
S2	A+	Differential Signal Pair A
S3	A-	
S4	SGND	Ground for signal integrity
S5	B-	Differential Signal Pair B
S6	B+	
S7	SGND	Ground for signal integrity
<b>Key and Spacing separate signal and power segments</b>		
P1	CDI	Card Detect In
P2	PGND	Device Ground
P3	DEVSLP	Device sleep
P4	TBD	Reserved
P5	TBD	Reserved
P6	TBD	Reserved
P7	PGND	Device Ground
P8	TBD	Reserved
P9	LED2	HDDA LED (LED are lighted when P9 low active)
P10	TBD	Reserved
P11	TBD	Reserved
P12	IFDet	GND
P13	PWR	Device Power (3.3V)
P14	PWR	Device Power (3.3V)
P15	PGND	Device Ground
P16	PGND	Device Ground
P17	CDO	Card Detect Out

## 2.10 Mechanical Dimensions



\*Write Protect is optional.

## 2.11 Assembly Weight

An Innodisk CFast 3IE4 within MLC flash ICs, 128GB's weight is 10 grams approx. The total weight of card will be less than 15 grams.

## 2.12 Seek Time

Innodisk CFast 3IE4 is not a magnetic rotating design. There is no seek or rotational latency required.

## 2.13 Hot Plug

The card support hot plug function and can be removed or plugged-in during operation. User has to avoid hot plugging the card which is configured as boot device and installed operation system.

Surprise hot plug:

The insertion of a SATA device into a backplane (combine signal and power) that has power present. The device powers up and initiates an OOB sequence.

Surprise hot removal:

The removal of a SATA device from a powered backplane, without first being placed in a quiescent state.

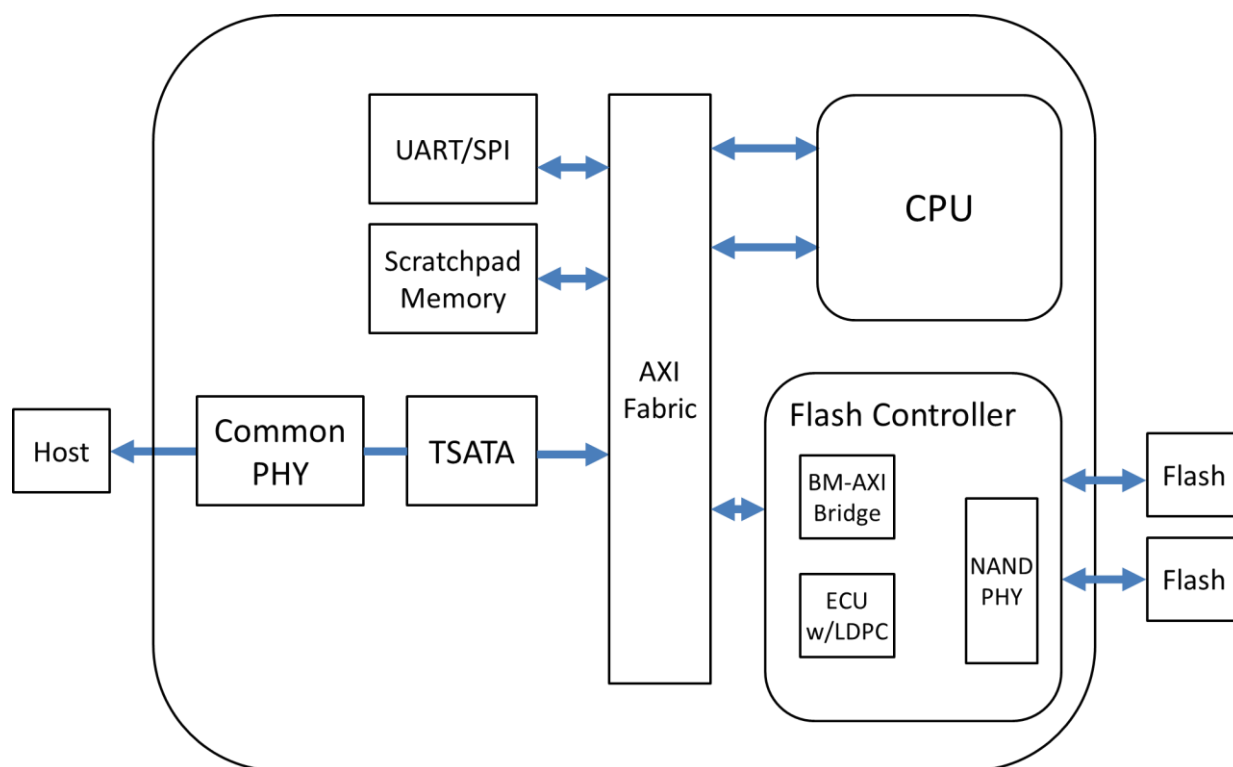
## 2.14 NAND Flash Memory

Innodisk CFast 3IE4 uses Multi Level Cell (MLC) NAND flash memory, which is non-volatility, high reliability and high speed memory storage.

## 3. Theory of Operation

### 3.1 Overview

Figure 2 shows the operation of Innodisk CFast 3IE4 from the system level, including the major hardware blocks.



**Figure 2: Innodisk CFast 3IE4 Block Diagram**

Innodisk CFast 3IE4 integrates a SATA III controller and NAND flash memories. Communication with the host occurs through the host interface, using the standard ATA protocol. Communication with the flash device(s) occurs through the flash interface.

### 3.2 SATA III Controller

Innodisk CFast 3IE4 is designed with ID88NV1120, a SATA III 6.0Gbps (Gen. 3) controller. The Serial ATA physical, link and transport layers are compliant with Serial ATA Gen 1, Gen 2 and Gen 3 specification (Gen 3 supports 1.5Gbps/3.0Gbps/6.0Gbps data rate). The controller has 2 channels for flash interface.

### 3.3 Error Detection and Correction

Innodisk CFast 3IE4 is designed with hardware LDPC ECC engine with hard-decision and soft-decision decoding. Low-density parity-check (LDPC) codes have excellent error correcting performance close to the Shannon limit when decoded with the belief-propagation (BP) algorithm using soft-decision information.

### 3.4 Wear-Leveling

Flash memory can be erased within a limited number of times. This number is called the **erase cycle limit** or **write endurance limit** and is defined by the flash array vendor. The erase cycle limit applies to each individual erase block in the flash device.

Innodisk CFast 3IE4 uses a static wear-leveling algorithm to ensure that consecutive writes of a specific sector are not written physically to the same page/block in the flash. This spreads flash media usage evenly across all pages, thereby extending flash lifetime. Moreover, CFast 3IE4 supports idle wear-leveling that SSD will do static wear-leveling when it has been idled for a certain time.

### 3.5 Bad Blocks Management

Bad Blocks are blocks that contain one or more invalid bits whose reliability are not guaranteed. The Bad Blocks may be presented while the SSD is shipped, or may develop during the life time of the SSD. When the Bad Blocks is detected, it will be flagged, and not be used anymore. The SSD implement Bad Blocks management, Bad Blocks replacement, Error Correct Code to avoid data error occurred. The functions will be enabled automatically to transfer data from Bad Blocks to spare blocks, and correct error bit.

### 3.6 Power Cycling

Innodisk's power cycling management is a comprehensive data protection mechanism that functions before and after a sudden power outage to SSD. Low-power detection terminates data writing before an abnormal power-off, while table-remapping after power-on deletes corrupt data and maintains data integrity. Innodisk's power cycling provides effective power cycling management, preventing data stored in flash from degrading with use.

### 3.7 Garbage Collection

Garbage collection technology is used to maintain data consistency and perform continual data cleansing on SSDs. It runs as a background process, freeing up valuable controller resources while sorting good data into available blocks, and deleting bad blocks.

# 4. Installation Requirements

## 4.1 CFast 3IE4 Pin Directions

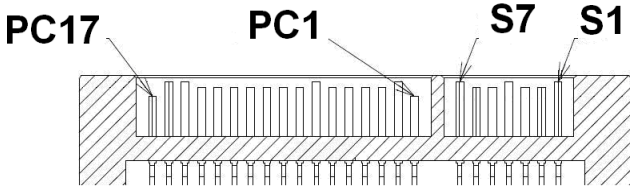


Figure 3: Signal Segment and Power Segment

## 4.2 Electrical Connections for CFast 3IE4

A Serial ATA device may be either directly connected to a host or connected to a host through a cable. For connection via cable, the cable should be no longer than 1 meter. The SATA interface has a separate connector for the power supply. Please refer to the pin description for further details.

## 4.3 Write Protection (Optional)



Innodisk CFast 3IE4 within the write-protect function could prevent the device from modification and deletion. Write-protected data could only be read, that is, users could not write to it, edit it, append data to it, or delete it. When users would like to make sure that neither themselves nor others could modify or destroy the file, users could switch on write-protection. Thus, Innodisk CFast 3IE4 could process write-protect mechanism and disable flash memory to be written-in any data. Only while the system power-off, users could switch on write-protection. Write-protection could not be switched-on, after OS booting.

## 4.4 Device Drive

No additional device drives are required. Innodisk CFast 3IE4 can be configured as a boot device.



# 5. SMART Feature Set

Innodisk 3IE4 series support the SMART command set and defines some vendor-specific data to report SMART attributes of SSD.

**Table 10: SMART command**

Value	Command	Value	Command
D0h	Read Data	D5h	Read Log
D1h	Read Attribute Threshold	D6h	Return Status
D2h	Enable/Disable Auto save	D8h	Enable SMART Operations
D3h	Save Attribute Values	D9h	Disable SMART Operations
D4h	Execute OFF-LINE Immediate	DAh	Return Status

## 5.1 SMART Attributes

Innodisk 3IE4 series SMART data attributes are listed in following table.

**Table 11: SMART attribute**

Attribute ID (hex)	Attribute Name
05	Later Bad
09	Power-On hours Count
0C	Drive Power Cycle Count
A3	Total Bad Block Count
A5	Max Erase count
A7	Avg Erase count
A9	Device Life
AA	Spare Block Count
AB	Program fail count
AC	Erase fail count
C0	Unexpected Power Loss Count
C2	Temperature
E5	Flash ID
EB	Later Bad Block
F1	Total LBAs written (each write unit = 32MB)
F2	Total LBAs read (each write unit = 32MB)

# 6. Part Number Rule

CODE	1	2	3	4	5	6	7	8	9	10	11	12	13	14	15	16	17	18	19	20	21
	D	H	C	F	A	-	3	2	G	M	4	1	B	C	1	D	C	X	X	X	X
<b>Definition</b>																					
<b>Code 1<sup>st</sup> (Disk)</b>											<b>Code 13<sup>th</sup> (Flash Mode)</b>										
D:Disk											B: Synchronous Flash Toshiba 15nm										
<b>Code 2<sup>st</sup> (Feature set)</b>											<b>Code 14<sup>th</sup> (Operation Temperature)</b>										
H:iSLC											C: Standard Grade (0°C ~ +70°C)										
											W: Industrial Grade (-40°C ~ +85°C)										
<b>Code 3<sup>rd</sup> ~ 5<sup>th</sup> (Form Factor)</b>											<b>Code 15<sup>th</sup> (Internal control)</b>										
CFA: CFast											1~9: TSOP PCB version										
<b>Code 7<sup>th</sup> ~9<sup>th</sup> (Capacity)</b>											<b>Code 16<sup>th</sup> (Channel of data transfer)</b>										
08G: 08GB											S: Single Channel										
16G: 16GB											D: Dual Channels										
32G: 32GB																					
64G: 64GB											<b>Code 17<sup>th</sup> (Flash Type)</b>										
A28: 128GB											C: Toshiba MLC										
<b>Code 10<sup>th</sup> ~12<sup>th</sup> (Controller)</b>											<b>Code 18<sup>th</sup> (Flash Type)</b>										
M41: Marvell Artmis											W: H/W Write Protect function										
											<b>Code 19<sup>th</sup>~21<sup>th</sup> (Customized Code)</b>										

# 7. Appendix

## CE/FCC/RoHS/REACH



**VERIFICATION OF COMPLIANCE**

*This Verification of Compliance is hereby issued to the below named company. The test results of this report relate only to the tested sample identified in this report.*

**Technical Standard: EMC DIRECTIVE 2014/30/EU  
(EN55032)**

**General Information**  
 Applicant: Innodisk Corporation  
 5F., No. 237, Sec. 1, Datong Rd., Xizhi Dist.,  
 New Taipei City 22161, Taiwan (R.O.C)

**Product Description**  
 EUT Description: CFast  
 Brand Name: Innodisk  
 Model Number: CFast 35\*#-&  
 S:Flash type: (S:SLC, I:SLC, M:MLC, T:3D TLC)  
 \*:Product line: (E:Embedded, G:EverGreen, R:InnoRobust)  
 #:Product Generation: (empty, 0-9)  
 &:Product line: (empty, P:Plus)

**Measurement Standard**  
 EN 55032: 2012 / AC: 2013  
 CISPR 32: 2012

**Measurement Facilities**  
 Xindian Lab.: Compliance Certification Services Inc.  
 No.163-1, Zhongsheng Rd., Xindian Dist., New Taipei City, 23151 Taiwan.  
 Tel: +886-2-22170894 / Fax: +886-2-22171029

*This device has been shown to be in compliance with and was tested in accordance with the measurement procedures specified in the Standards & Specifications listed above and as indicated in the measurement report number: T161011D05 E*

  
 Sam Hu / Assistant Manager  
 Date: October 18, 2016



程創科技股份有限公司  
Compliance Certification Services Inc.



### VERIFICATION OF COMPLIANCE

*This Verification of Compliance is hereby issued to the below named company. The test results of this report relate only to the tested sample identified in this report.*

**Technical Standard: EMC DIRECTIVE 2014/30/EU  
(EN55022 / EN55024)**

#### General Information

Applicant: Innodisk Corporation  
5F., No. 237, Sec. 1, Datong Rd., Xizhi Dist.,  
New Taipei City 22161, Taiwan (R.O.C)

#### Product Description

EUT Description: CFast  
Brand Name: Innodisk  
Model Number: CFast 3S\*#-&  
S:Flash type: (S:SLC, I:iSLC, M:MLC, T:3D TLC)  
\*:Product line: (E:Embedded, G:EverGreen, R:InnoRobust)  
#:Product Generation: (empty, 0-9)  
&:Product line: (empty, P:Plus)

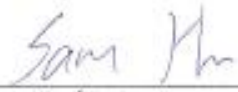
#### Measurement Standard

EN 55022: 2010 / AC: 2011  
EN 61000-3-2: 2014  
EN 61000-3-3: 2013  
EN 55024: 2010 + A1: 2015  
(IEC 61000-4-2: 2008; IEC 61000-4-3: 2006 + A1: 2007 + A2: 2010; IEC 61000-4-4: 2012;  
IEC 61000-4-5: 2014; IEC 61000-4-6: 2013; IEC 61000-4-8: 2009; IEC 61000-4-11: 2004)

#### Measurement Facilities

Xindian Lab.: Compliance Certification Services Inc.  
No.163-1, Zhongsheng Rd., Xindian Dist., New Taipei City, 23151 Taiwan.  
Tel: +886-2-22170894 / Fax: +886-2-22171029

*This device has been shown to be in compliance with and was tested in accordance with the measurement procedures specified in the Standards & Specifications listed above and as indicated in the measurement report number: T161014D05-E*

  
Sam Hu / Assistant Manager  
Date: October 18, 2016

**CCSRF**  
程懋科技股份有限公司  
Compliance Certification Services Inc.



**VERIFICATION OF COMPLIANCE**

*This Verification of Compliance is hereby issued to the below named company. The test results of this report relate only to the tested sample identified in this report.*

**Technical Standard: FCC Part 15 Class B  
IC ICES-003**

**General Information**

**Applicant:** Innodisk Corporation  
5F., No. 237, Sec. 1, Datong Rd., Xizhi Dist.,  
New Taipei City 22161, Taiwan (R.O.C)

**Product Description**

**EUT Description:** CFast  
**Brand Name:** Innodisk  
**Model Number:** CFast 35\*8-&  
\$:Flash type: (S:SLC, I:iSLC, M:MLC, T:3D TLC)  
\*:Product line: (E:Embedded, G:EverGreen, R:InnoRobust)  
#:Product Generation: (empty, 0-9)  
&:Product line: (empty, P:Plus)

**Measurement Facilities**

**Xindian Lab.:** Compliance Certification Services Inc.  
No.163-1, Zhongsheng Rd., Xindian Dist., New Taipei City, 23151 Taiwan.  
Tel: +886-2-22170894 / Fax: +886-2-22171029

*This device has been shown to be in compliance with and was tested in accordance with the measurement procedures specified in the Standards & Specifications listed above and as indicated in the measurement report number: T161014D05-D*

*Sam Hu / Assistant Manager  
Date: October 18, 2016*



宜鼎國際股份有限公司  
Innodisk Corporation

Tel:(02)7703-3000 Fax:(02) 7703-3555 Internet: <http://www.innodisk.com/>

## REACH Declaration of Conformity

### Manufacturer Product: All Innodisk EM Flash and Dram products

1.宜鼎國際股份有限公司（以下稱本公司）特此保證此售予貴公司之產品，皆符合歐盟化學品法案(Registration , Evaluation and Authorization of Chemicals ; REACH)之規定

(<http://www.echa.europa.eu/de/candidate-list-table> last updated: 20/06/2016)。所提供之產品包含：(1) 產品或產品所使用到的所有原物料；(2)包裝材料；(3)設計、生產及重工過程中所使用到的所有原物料。

We Innodisk Corporation hereby declare that our products are in compliance with the requirements according to the REACH Regulation

(<http://www.echa.europa.eu/de/candidate-list-table> last updated: 20/06/2016).

Products include : 1) Product and raw material used by the product ; 2) Packaging material ; 3) Raw material used in the process of design, production and rework

2.本公司同意因本保證書或與本保證書相關事宜有所爭議時，雙方宜友好協商，達成協議。

InnoDisk Corporation agrees that both parties shall settle any dispute arising from or in connection with this Declaration of Conformity by friendly negotiations.

### 立 保 證 書 人 (Guarantor)

Company name 公司名稱：InnoDisk Corporation 宜鼎國際股份有限公司

Company Representative 公司代表人：Randy Chien 簡川勝

Company Representative Title 公司代表人職稱：Chairman 董事長

Date 日期：2016 / 06 / 23





宜鼎國際股份有限公司  
Innodisk Corporation

Tel:(02)7703-3000 Fax:(02) 7703-3555 Internet: <http://www.innodisk.com/>

RoHS 自我宣告書 (RoHS Declaration of Conformity)

Manufacturer Product: All Innodisk EM Flash and Dram products

- 一、宜鼎國際股份有限公司（以下稱本公司）特此保證售予貴公司之所有產品，皆符合歐盟 2011/65/EU 關於 RoHS 之規範要求。

Innodisk Corporation declares that all products sold to the company, are complied with European Union RoHS Directive (2011/65/EU) requirement.

- 二、本公司同意因本保證書或與本保證書相關事宜有所爭議時，雙方宜友好協商，達成協議。

Innodisk Corporation agrees that both parties shall settle any dispute arising from or in connection with this Declaration of Conformity by friendly negotiations.

Name of hazardous substance	Limited of RoHS ppm (mg/kg)
鉛 (Pb)	< 1000 ppm
汞 (Hg)	< 1000 ppm
鎘 (Cd)	< 100 ppm
六價鉻 (Cr 6+)	< 1000 ppm
多溴聯苯 (PBBs)	< 1000 ppm
多溴二苯醚 (PBDEs)	< 1000 ppm

立 保 證 書 人 (Guarantor)

Company name 公司名稱：Innodisk Corporation 宜鼎國際股份有限公司

Company Representative 公司代表人：Randy Chien 簡川勝

Company Representative Title 公司代表人職稱：Chairman 董事長

Date 日期：2016 / 08 / 04

