

The supplier acknowledges that, with the acceptance of this drawing, he is in a position to manufacture the component in accordance with the drawing in reproducible quantities. The drawing is not to be used for the manufacture of individual components. The drawing is not to be used for the manufacture of individual components. The drawing is not to be used for the manufacture of individual components.

Technische Daten/
technical data : Akkupack/
batterypack
Chemie/
chemistry : Lithium Ion
Zellenzahl/
no. of cells : 6 Zellen/ cells ; 3S2P
Zellentyp
cell type : ICR18650 LGC B4
Kapazität/
capacity : nom. 5200mAh discharge at 0.2C
min. 5000mAh discharge at 0.2C
ta:20°C; EV(Discharge End Voltage): 2.75V per cell

Innenwiderstand/
impedance : < 120mOhm (battery and safetyboard)
Nominalspannung/
nominal voltage : 11.1V
Standard Ladespannung/
standard charge voltage : 12.6V±1%
Standard Entladespannung/
standard discharge voltage : 8.25V
Maximaler Ladestrom/
maximum charge current : 5A (limited by safety board)
Ladeendstrom/
charge end current : 0.01C recommended
Maximaler Entladestrom/
maximum discharge current : 5A (limited by safety board)

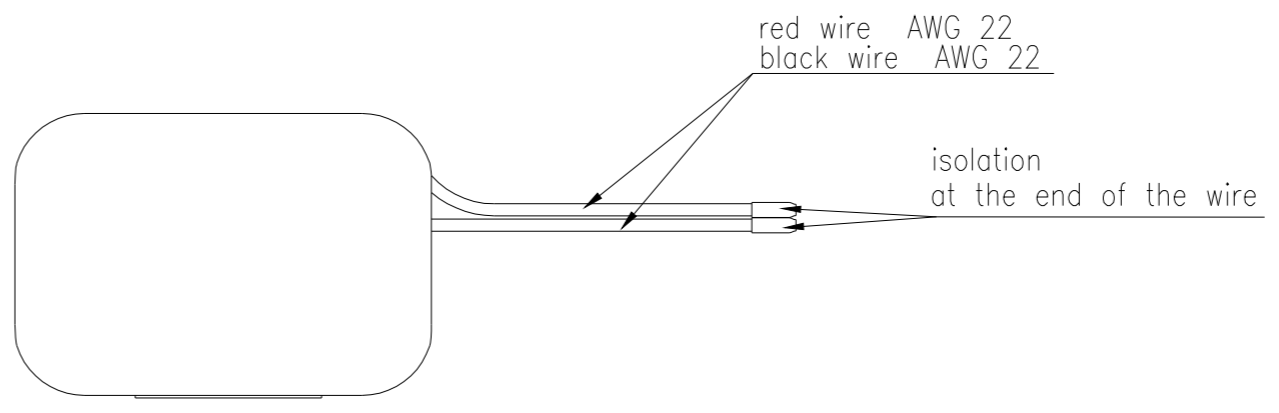
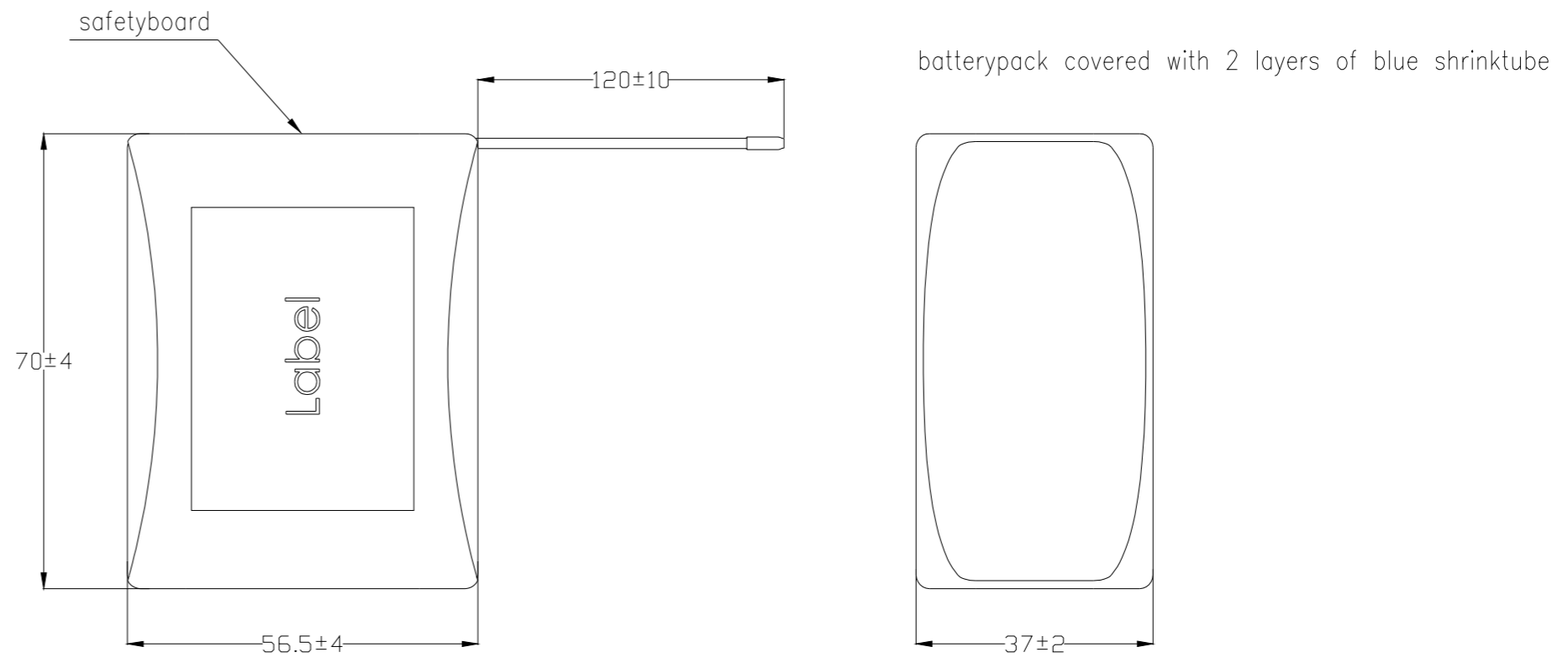
Anwendungstemperaturbereich/
ambient temperature range : 0°C...+45°C charge
-20°C...+60°C discharge
-20°C...+30°C storage max. 1 year
-20°C...+45°C storage max. 3months

Selbstentladung/
self discharge : ≤ 5% / month at 20°C
≤ 10% / month at 30°C
≤ 20% / month at 40°C

Standards/ : UN 3480, Subsection 38.3
All cells and batterypacks type tested according to UN manual of test and criteria subsection 38.3

Überladeschutzspannung/
over charge voltage detection : 4.35V±25mV per cell
Wiedereinschaltspannung/
over charge release voltage : 4.15V±50mV per cell
Entladeabschaltspannung/
over discharge detection voltage : 2.4V±80mV per cell
Wiedereinschaltspannung/
over discharge release voltage : 3V±100mV per cell

Entlade Abschaltstrom/
discharge cut off current : 12A± 2A
Kurzschlusschutz/
short circuit protection : gegen äußeren Kurzschluss/
against external short circuit
Temperaturumschalter/
temperature switch : ---
MOSFET : im Pluszweig
in positive path
Rückstellkriterium/
release condition : Last trennen, Aktiv nach Anladen/
cut load, release after charging up
Nettogewicht/
net weight : 280g
Standards : CE



This drawing may not be copied, reproduced or made available to third parties in any way whatsoever without our prior written approval.

Verwendungsbereich/Application range für Anfrage/for inquiry IS-2013-00429		Zut. Abweichung/ Allowable deviation	Oberfläche/ Surface	Maßstab/Scale (DIN A2): 1:1	Gewicht/Weight
		Allgemeintoleranz DIN ISO 2768-m		Werkstoff/Work material, Modell-Nr.	
		2013	Datum/Date	Name	Zeichnungsname/Drawing name
		Erstellt/ Drawn by	23.10.	JE	Li-Ion Battery 11.1V 5200mAh with safetyboard
V2	values corrected	03.07.17	MSt		
V2	change request: DE-15-0022	15.01.16	MSt		
V1	technical data corrected	25.06.15	JH		
V1	values corrected	17.01.14	JE		
Version	Anderung/Change	Datum/Date	Name	Ursprung/Origin Proj. IS-2013-00429	Ersatz für/Replaced by
				Ersatz durch/Replacement through	
				Zeichnungsnummer/Drawing number Artikelnummer/Part number 2447-3050-01	
				Blatt/ Sheet 1	

