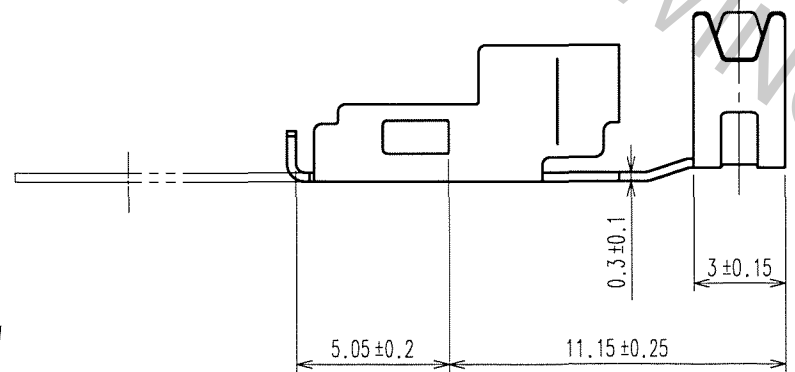
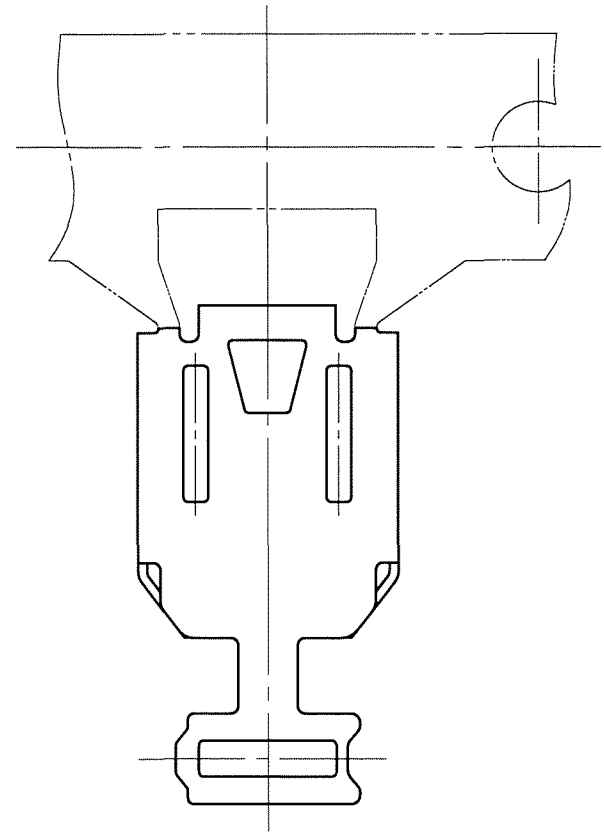
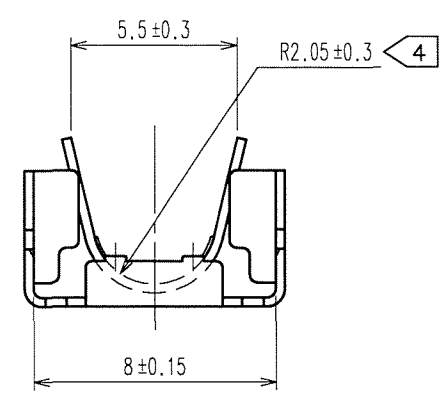
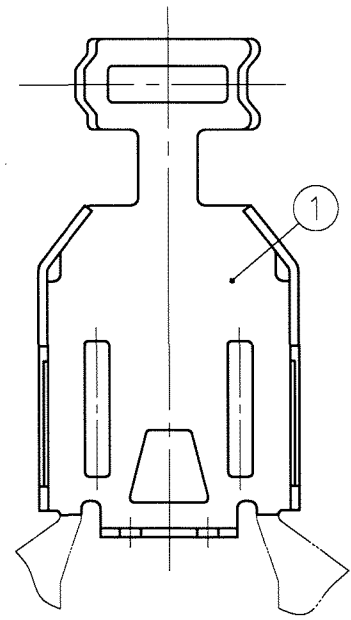
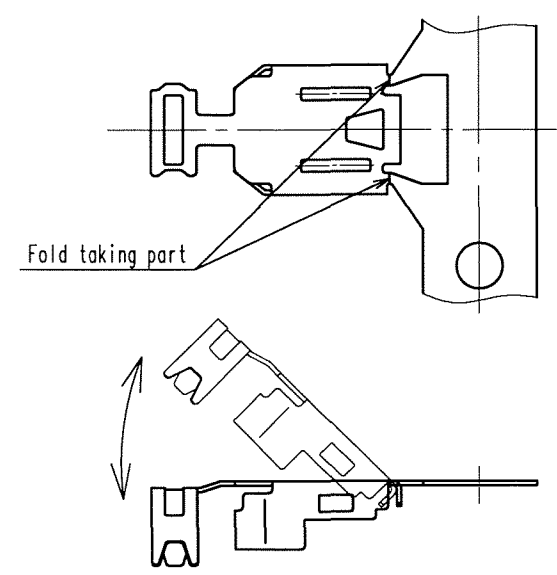


May.1.2017 Copyright 2017 HIROSE ELECTRIC CO., LTD. All Rights Reserved.

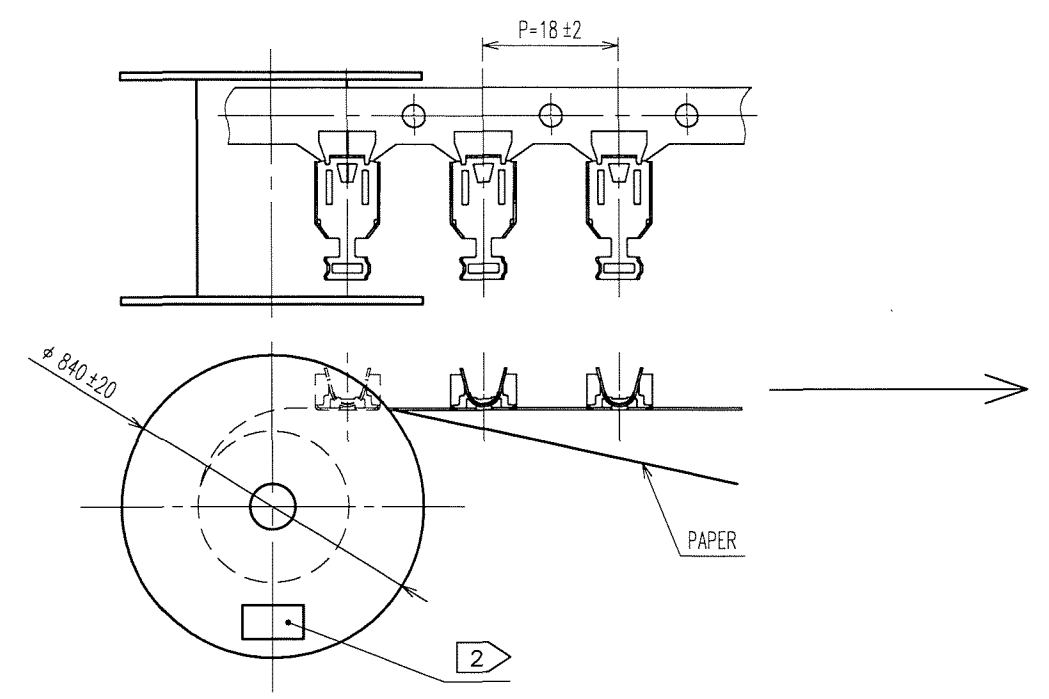
COUNT	DESCRIPTION OF REVISIONS	BY	CHKD	DATE	COUNT	DESCRIPTION OF REVISIONS	BY	CHKD	DATE
△				..	△				..
△				..	△				..
△				..	△				..



3 Fig - 2 CUT OFF A CAREER



1 Fig - 1 REELING



- NOTES
- 1 This is delivered by a reel.QTY:4000pcs
 - 2 Shown on a reel and a box is ; " Part No. ", " Code No. ", " Lot No. ", " QTY "
 - 3 Cut off a career as shown in fig-2.
 - 4 This cable-clamping part is applied to φ 3.8mm cable.

TO

1	STAINLESS STEEL	
NO.	MATERIAL	FINISH, REMARKS

CODE NO. (OLD)	DRAWN <i>Y. Takeuchi</i> 06.11.13	DESIGNED <i>Y. Takeuchi</i> 06.11.13	CHECKED <i>M. Nakayoshi</i> 06.11.13	APPROVED <i>[Signature]</i> 06.11.13	RELEASED ..
SCALE 4 : 1	DRAWING NO. EDC3-125859		PART NO. ZX40-SLDB		
UNITS mm	HRS HIROSE ELECTRIC CO., LTD		CODE NO. CL242-0004-0		1/1