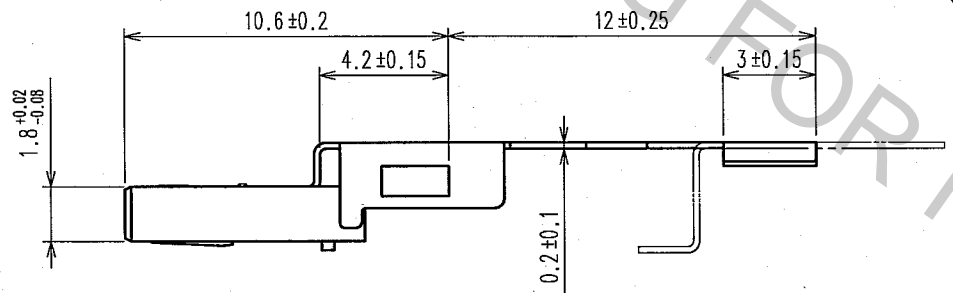
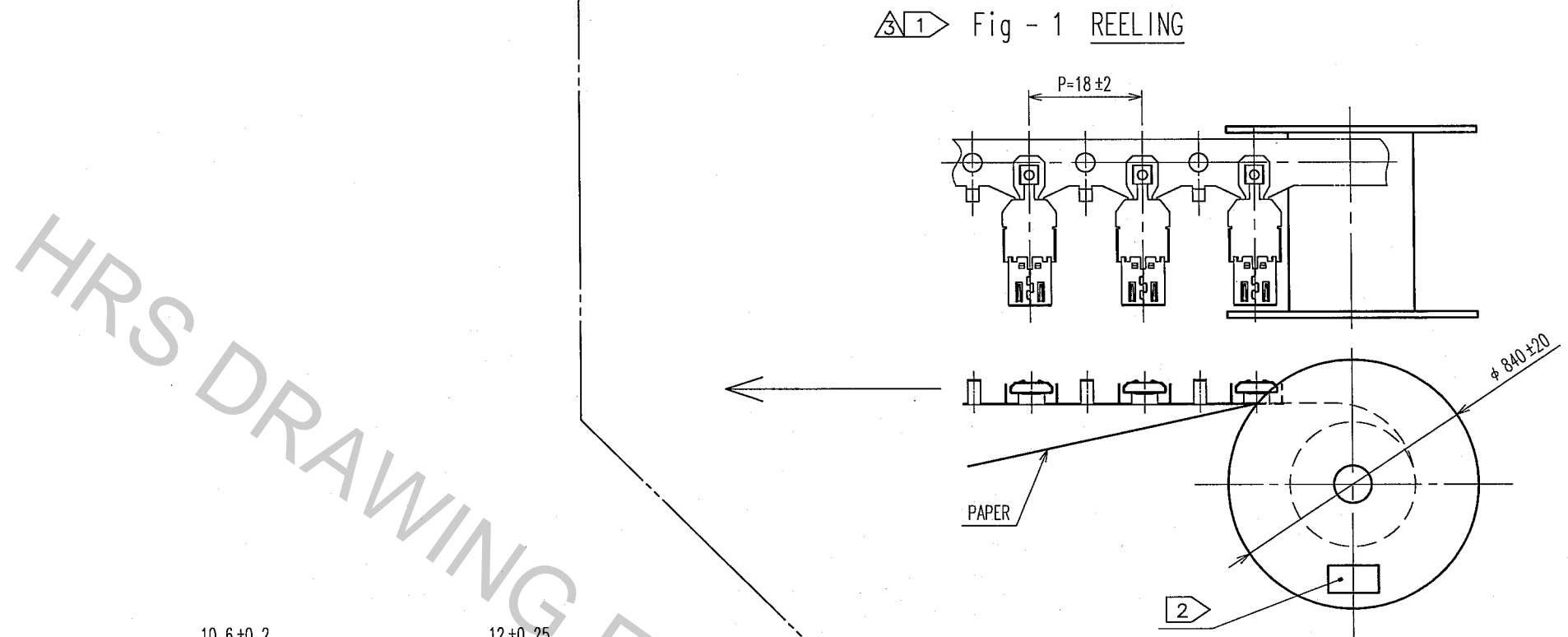
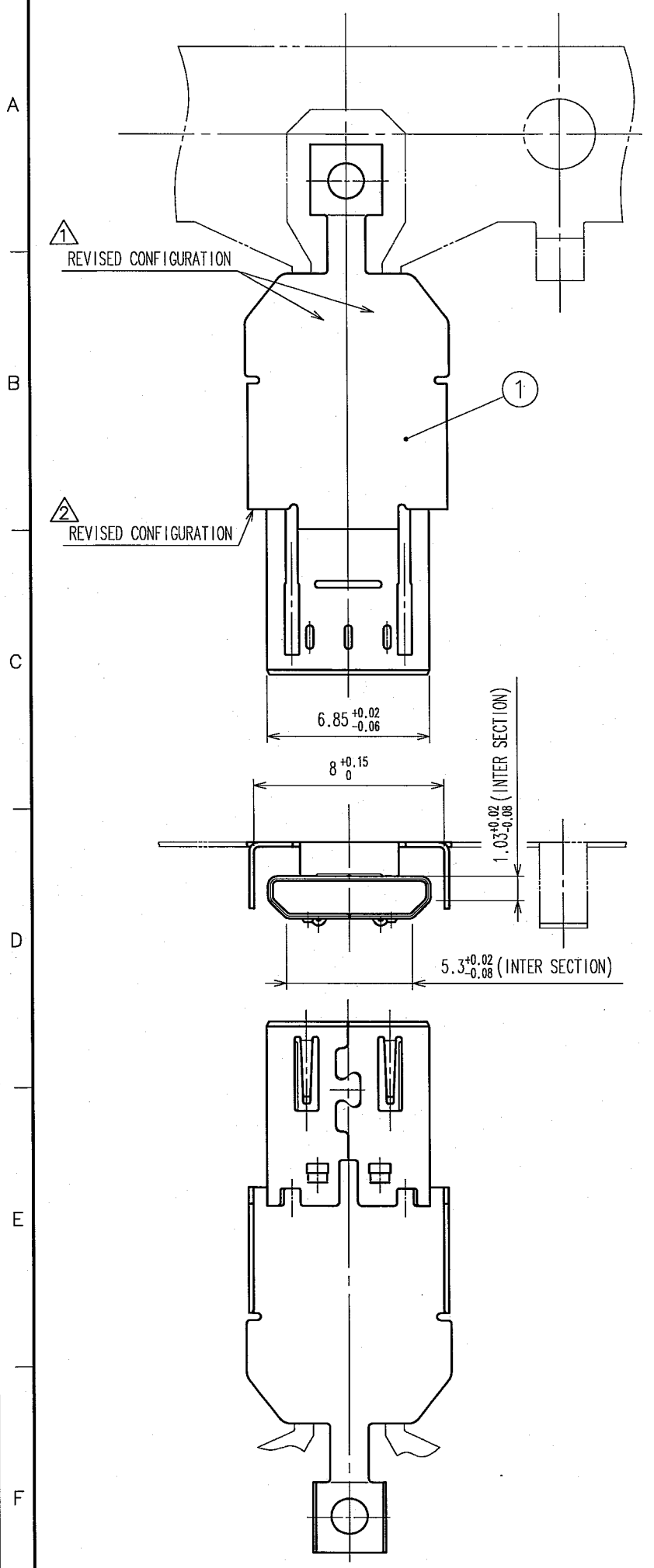
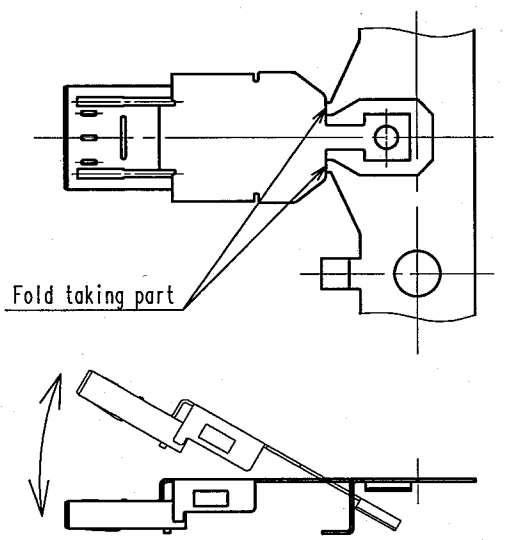


May.1.2017 Copyright 2017 HIROSE ELECTRIC CO., LTD. All Rights Reserved.

COUNT	DESCRIPTION OF REVISIONS	BY	CHKD	DATE	COUNT	DESCRIPTION OF REVISIONS	BY	CHKD	DATE
1	DIS-E-001243	Y.T	K.I	07.01.29					
1	DIS-E-001703	Y.T	H.K	07.08.07					
1	DIS-E-001834	Y.T	H.K	07.09.29					



3 Fig - 2 CUT OFF A CAREER



- NOTES
- 1 This is delivered by a reel.QTY:4000pcs
 - 2 Shown on a reel and a box is ; " Part No.", " Code No.", " Lot No.", " QTY"
 - 3 Cut off a career as shown in fig-2.

1	STAINLESS STEEL	Nickel 0.1 μ m min
NO.	MATERIAL	FINISH, REMARKS

CODE NO. (OLD)	DRAWN	DESIGNED	CHECKED	APPROVED	RELEASED
	Y.TAKEUCHI	Y.TAKEUCHI	H.KOBAYASHI	A.SUZUKI	
	06.11.13	06.11.13	06.11.13	06.11.13	
SCALE	DRAWING NO.		PART NO.		
4 : 1	EDC3-125858		ZX40-B-SLDA		
UNITS	HRS HIROSE ELECTRIC CO., LTD		CODE NO.		
mm			CL242-0003-7		