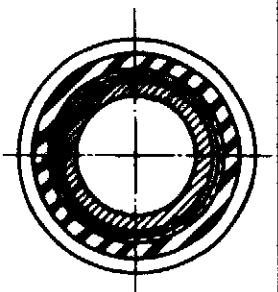
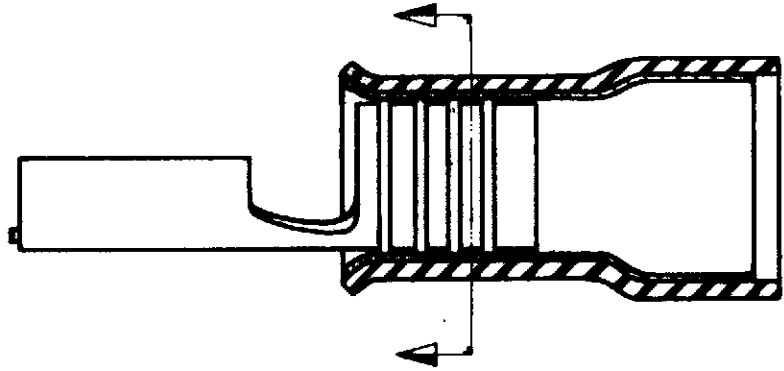
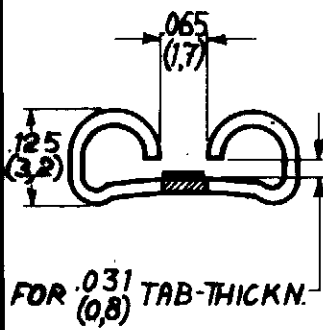
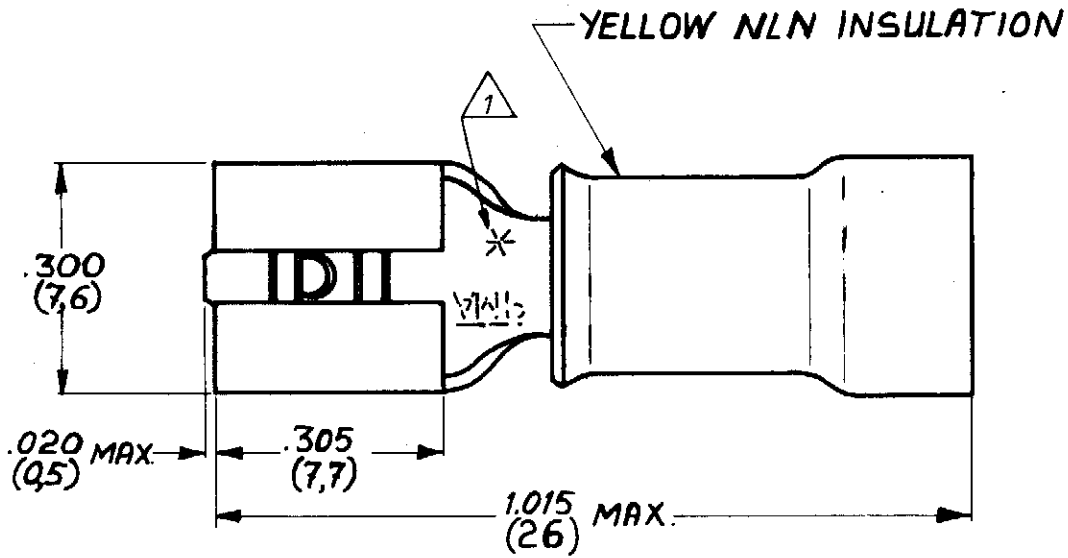


DRAWING MADE IN AMERICAN PROJECTION

P	LTR	DESCRIPTION	DATE	DWN	APVD
	K2	REVISED PER ECO-09-025273	20JAN10	KK	HMR

NUMBER C-160314



- 1 ASTERISK * FOR PH.BRONZE VERSION ONLY.
- 2 OBSOLETE - NO REPLACEMENT
- 3 DIMENSIONS IN () ARE IN MM.

RECEPTACLE MATERIAL THICKN.: ⁰¹⁸(0,45)

CUSTOMER COPY FOR REFERENCE ONLY

©1972 BY AMP-HOLLAND N.V. ALL RIGHTS RESERVED A-MP PRODUCTS COVERED BY PATENTS AND/OR PATENTS PENDING.



AMP-HOLLAND N.V.
's-Hertogenbosch

WIRE-RANGE 4-6 mm² INSUL-RANGE 250 MAX.DIA 2 PLC ±0.38

2-160314-5	160314-5 MOUNTED ON TAPE	
160314-8	PH.BRONZE	TIN-LEAD
160314-5	PHOS.BRONZE	PRE-TINNED
2-160314-2	160314-2 MOUNTED ON TAPE	
160314-4	BRASS	GOLD
160314-2		TIN
ORDER NO.	MATERIAL	PLATING
DR. R. Visser 4/4-71	DATE	DE DATE
CHK	DATE	APP DATE

SCALE SIZE NO C-160314 REV K2

NAME 250 Ser. PIDG FASTON RECEPTACLE

DIMENSIONS IN () DO NOT SCALE PRINT