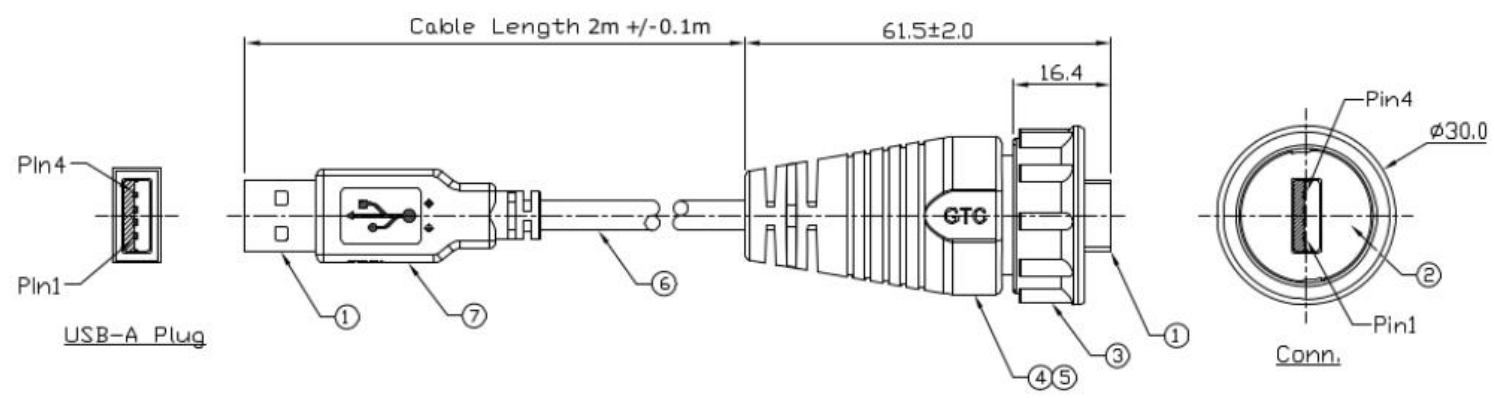


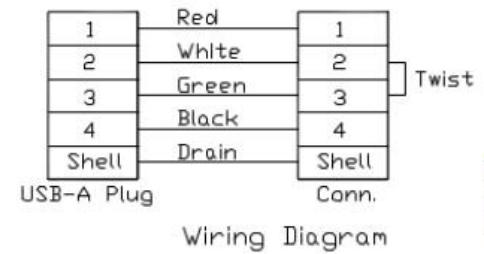


Notes: (Unless Otherwise Specified)
 1. Waterproof Rate: IP67.
 2. RoHS Compliant.

REV	ECN#	DESCRIPTION OF REVISION	DRAW BY DATE	CHECK BY DATE	APPROVE BY DATE
A0		Mass Production	Lucas 04/26/10	Ray 04/26/10	Ray 04/26/10



Item	Part Name	Material / Finish	QTY
7	Over Mold	PVC Color: Black	1
6	Cable	UL2725 IP#2BAVG+2DR24AVG+N/Ny+D+B Color: Black, OD=5.0mm	1
5	Over Mold	PVC Color: Black	1
4	Inner Mold	Thermoplastic Color: Black	2
3	Lock Nut	Thermoplastic Color: Black	1
2	Rubber Pad	Silicone Color: Black	1
1	USB-A Plug	Housing: Thermoplastic, Color: Black Contacts: Copper Alloy, Finish: Au Plated Shell: Cold Roll Steel, Finish: Ni Plated	2



Mating Parts:
 111-6748
 111-6749

TITLE							TOLERANCES			UNIT	SHEET	
USB-A Plastic C4 Cable End Plug Lock With Cable + USB-A Plug							X.X	± 0.5	X.XXX	± 0.05	mm	1/1
							X.XX	± 0.2	ANGLES	± 1°		
THIRD ANGLE PROJECTION	SIZE	SCALE	DRAW / DATE	CHECK / DATE	APPROVE / DATE	TOLERANCES			UNIT	SHEET		

RS Stock No
 111-6752