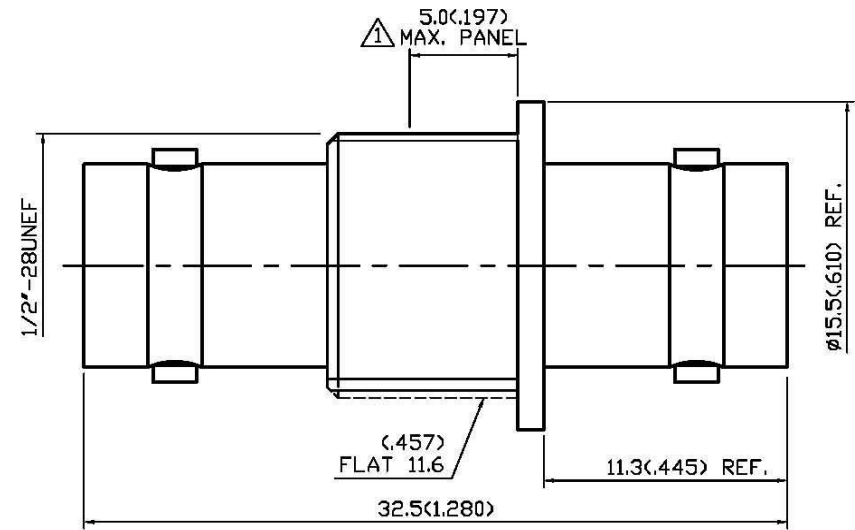
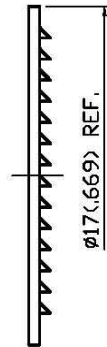
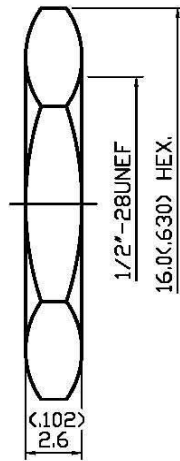
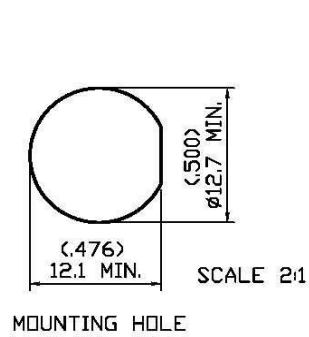


NO	DESCRIPTION	DATE
①	ADD 5.0 MAX. PANEL	06.11.12'
②	ADD VSWR	07.30.12'
③	DEL PROOF VOLTAGE WORKING VOLTAGE → VOLTAGE RATING	04.15.13'



1.0 ELECTRICAL

- 1.1 FREQUENCY RANGE: DC-4 GHz
- 1.2 NOMINAL IMPEDANCE: 50 OHM
- 1.3 VOLTAGE RATING: 500 VOLTS MAX ③
- 1.4 VSWR: 1.5 MAX ②

2.0 MATERIALS ②

- 2.1 BODIES: BRASS PER JIS-C3604
- 2.2 CENTER CONTACT: BRASS PER JIS-C3604
- 2.3 INSULATION: TEFLON PER ASTM D1457 AND ASTM D1710

3.0 FINISHES AND OTHERS

- 3.1 SEE BELOW TABLE FOR DETAILS.

4.0 ENVIRONMENTAL

- 4.1 OPERATING TEMPERATURE RANGE: -40° C TO +60° C

7	WASHER	BRASS	1	NICKEL
6	CENTER CONTACT	BRASS	1	GOLD
5	INSULATION	ABS	1	NONE
4	BODY	BRASS	1	NICKEL 100μ" MIN.
3	INSULATION	TEFLON	2	NONE
2	WASHER	STEEL	1	NICKEL
1	NUT	BRASS	1	NICKEL
NO	DESCRIPTION	MATERIAL	Q'TY	FINISH



APPROVED

by

DATE:

DESCRIPTION		STRAIGHT BNC ISOLATED BULKHEAD JACK-JACK ADAPTER	
製圖	DRAWN Kristina	TOLERANCE	品名 13-29-7 T.G.N
檢圖	CHECK Arc	.X ±0.2	DATE 06.17.97'
認定	APPROVAL Angela	.XX ±0.1	版次 B-3
		.XXX ±0.05	DWG.NO. 13-0210
		ANGLE ±5°	SCALE 4:1
			5463787