

Datasheet

RS Pro GZC8-1, Thermionic Valve Base Octal for 6550, 6CA7, 6P3P, 8-pin vacuum tubes such as EL34, KT88

RS Stock No: **678-4098**



Product Details

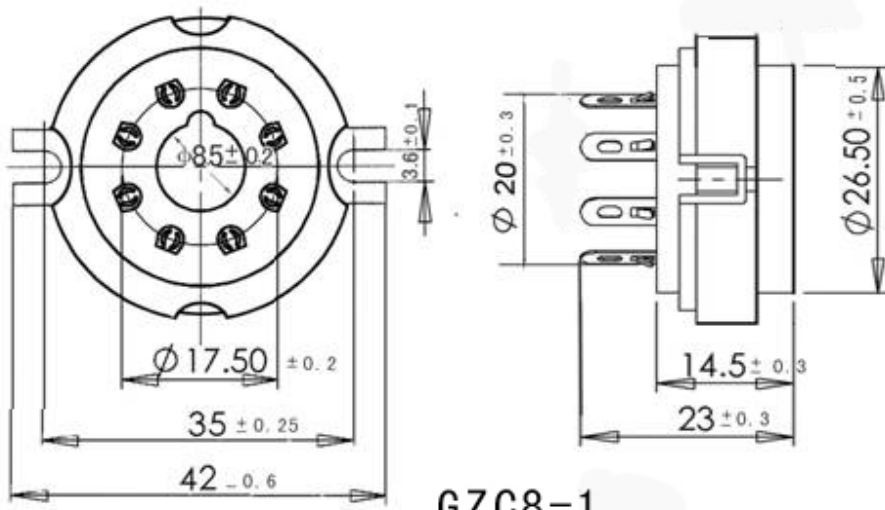
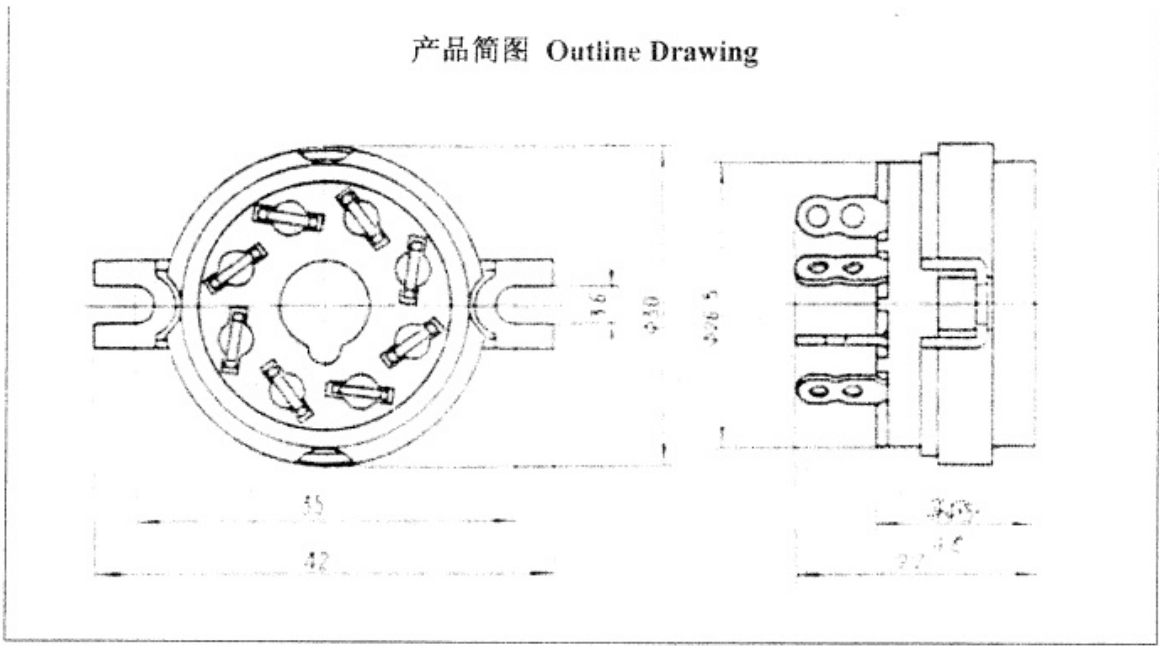
RS Pro Thermionic valve base is compatible with octal and B9A based thermionic valves. It is perfect for use with KT88, 6CA7, 6P3P, 8-pin vacuum tubes such as EL34 and 6550.

Features and Benefits

- Thermionic valve base
- For use with octal and B9A based thermionic valves
- Compatible with KT88, 6CA7, 6P3P, 8-pin vacuum tubes such as EL34 and 6550

Specifications:

Base Type	Octal
For Use With	6550, 6CA7, 6P3P, 8-pin Vacuum Tubes such as EL34, KT88



GZC8-1