

Datasheet

9 female (SP)-25 female (SP) D adaptor

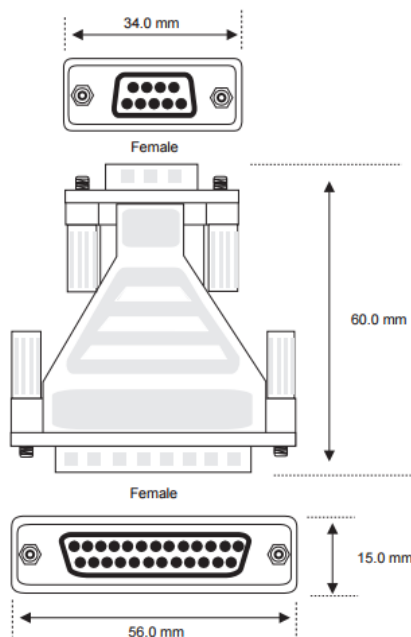
RS Stock 210-1010



Pin – Pin Configurations

D Sub 9		D Sub 25
1	_____	8
2	_____	3
3	_____	2
4	_____	20
5	_____	7
6	_____	6
7	_____	4
8	_____	5
9	_____	22
Shell	_____	Shell

Specifications



Specification

Current Rating: 5A
 Working Voltage: 300VAC
 Contact Resistance: 5mΩ
 Insulation Rating: 1KΩ
 Mating Cycles: 100
 Temperature Rating: -55°C to + 125°C
 Over-moulding: PVC Black
 Inner Molded: PE
 UL 1007 28AWG
 Thumbscrew Moulded PVC black
 UL94V-O insulation : Black
 DB25F: Contact – Gold
 Flash: Shell : Nickel Plated
 UL94V-0 Insulation Black