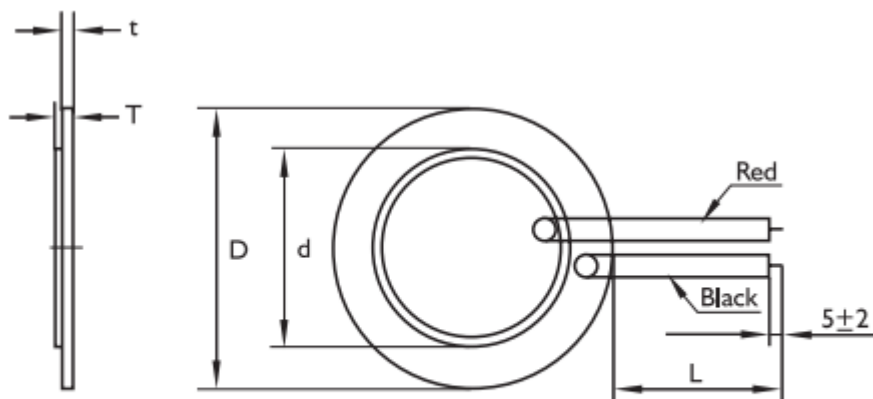


# Datasheet

## RS 8V Pk-Pk PCB Mount Magnetic Buzzer, 85dB

### Continuous

RS Stock 780-0740



Dimensions: (mm)

### Specifications

### ABT-455-RC

Rated max voltage (Vp-p square wave)	30Vp-p
Capacitance	37000pF±30%
Resonant frequency	2800±300Hz
Resonant impedance	≥600Ω
Operating temperature	-20~+60°C
Storage temperature	-20~+70°C
Dimensions D±0.1	35mm
d±0.3	25mm
t±0.02	0.25mm
T±0.1	0.51mm
Lead wire	UL1095 AWG32
Lead length (L)	50mm

### Features

- ROHS compliant
- Low power consumption
- Reliable and lightweight

All data at 25°C unless otherwise specified