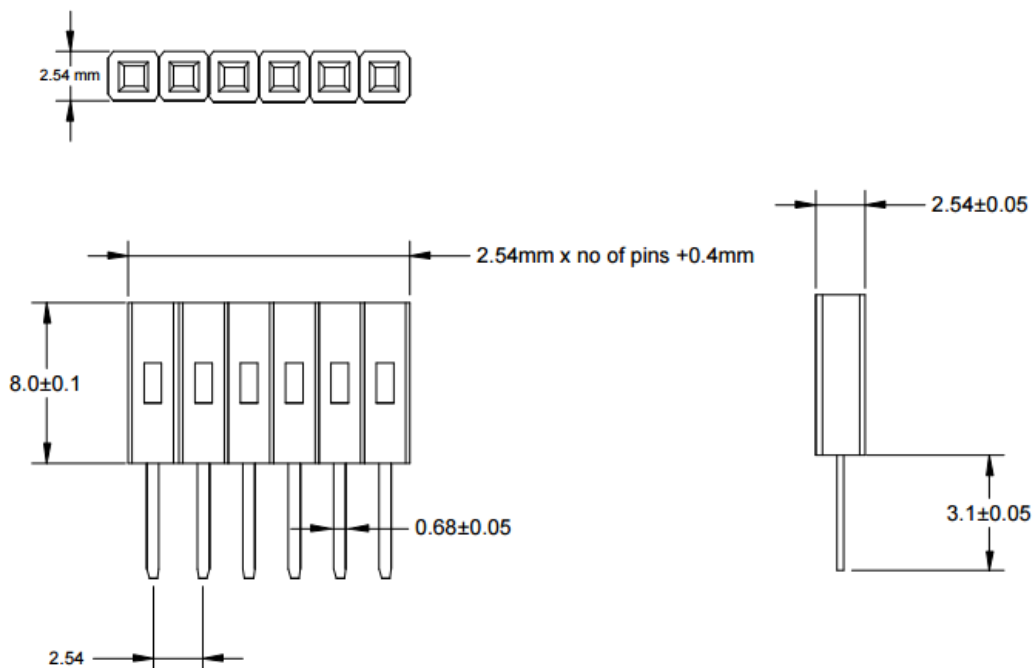


Datasheet

RS 2.54mm 5 Way 1 Row Straight PCB Socket Through Hole Socket Strip

RS Stock number [251-8200](#)

Dimensions: mm



Specifications

- Current Rating: 1 AMP
- Contact Resistance: 20m. Ohms
- Insulator Resistance: 5000 Megohms min
- Operating Temperature: -55°C to 105°C
- Max Processing Temperature: 230°C (30secs) 260°C (60secs)
- Contact Material: Phosphor Bronze
- Insulation Material W34811xxTRC: Nylon (UL94V-0) (use for RoHS wave soldering)
- Insulation Material W34811xxTHTRC: Stanol (use for RoHS reflow)
- Contact Plating: 3 to 5 microns tin over copper