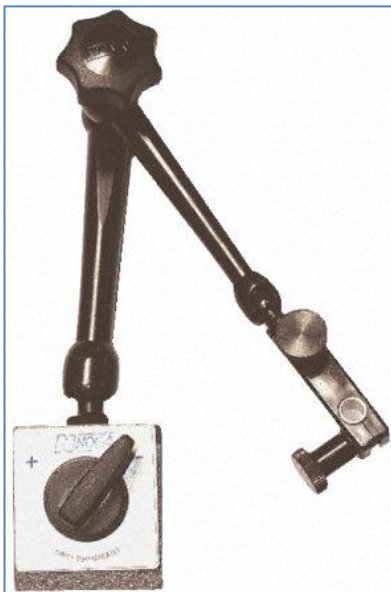


Datasheet

DTI Clamp Centre Lock Magnetic Base

RS Stock number [213-0670](#)



Description:

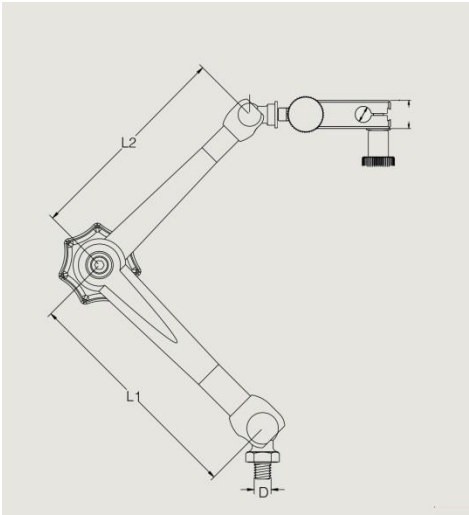
The Dial Gauge Holding System has two articulated arms which can be easily locked in any position using the single central locking knob.

DG arms are manufactured from aluminium alloy with a black oxide finish.

Indicator Holder is fitted with fine adjustment and will hold indicators with 8mm stems plus dovetail fittings.

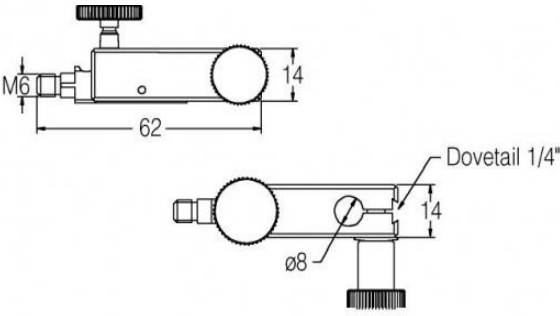
Switchable Magnetic Base has 80kg (800N) Pull

Arm:



Thread: M8
 Length (L1): 110 mm
 Length (L2): 101 mm

Fine Adjustment Clamp:



Indicator fitting is 8 mm in diameter including the dovetail

Magnetic Base:



The magnetic base as a "V" base and level switch. It also has a pull of 80 k.

Width: 50 mm
 Height: 55 mm
 Length: 60 mm
 Thread: M8

