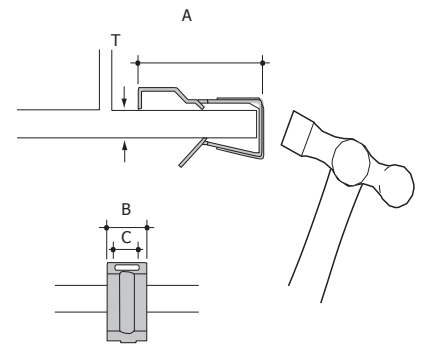


Datasheet

Steel Girder Cable Tie Base

RS Stock number [2037650](#)



Description

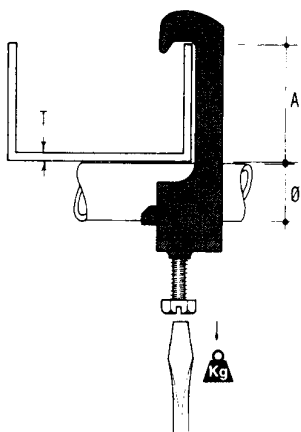
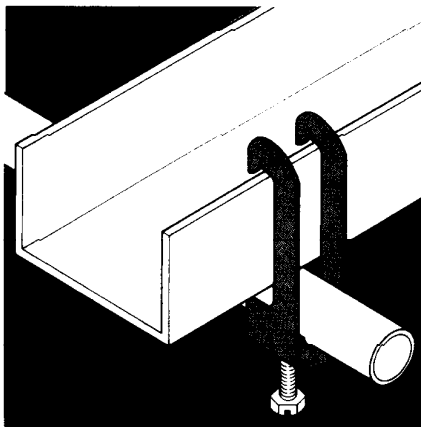
Zinc silver coloured sacrificial coating (Z600+), enhanced by an application of waterproof topcoat giving a corrosion resistance of more than 600 hours, for use in indoor and outdoor humid and mildly corrosive environments. Coating is completely chromium free.

Specification

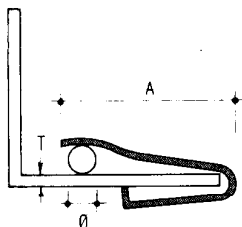
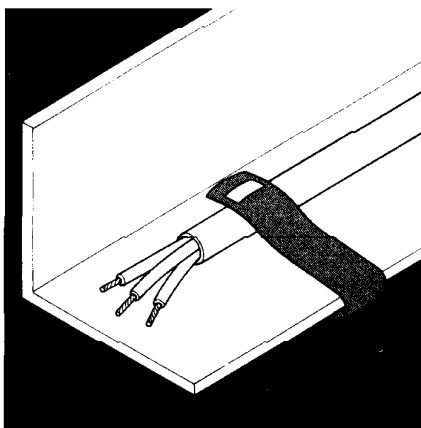
Flange Thickness	10 → 18 mm
Flange Thickness Maximum	18mm
Flange Thickness Minimum	10mm
Material	Steel

Measurements (see line drawing)

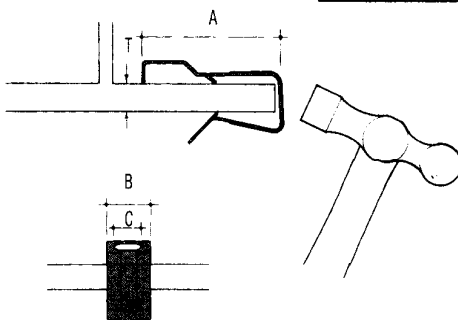
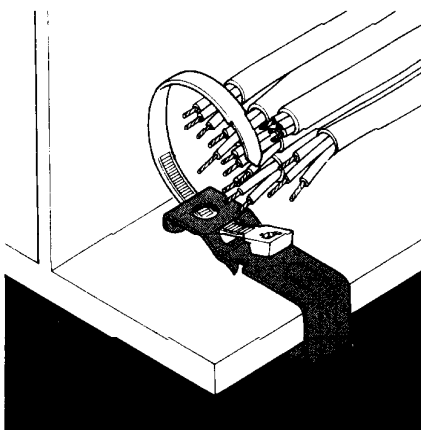
T	10-18mm
A	52mm
B	16mm
C	10mm



Catalogue No.	T (mm)	Ø (mm)	A (mm)	PG TYPE	Kg	F
H-0614	Max 7	6-14	Max 40	-	100	F2
H-1418	Max 7	14-18	Max 40	9	100	F2
H-1822	Max 7	18-22	Max 40	11	100	F2
H-2024	Max 7	20-24	Max 40	13.5/16	100	F2
H-2428	Max 7	24-28	Max 40	-	100	F2
H-2832	Max 7	28-32	Max 40	21	100	F2
H-3236	Max 7	32-36	Max 40	-	100	F2
H-3640	Max 7	36-40	Max 40	29	100	F2
H-4044	Max 7	40-44	Max 40	-	100	F2
H-4448	Max 7	44-48	Max 40	36	100	F2
H-4852	Max 7	48-52	Max 40	-	100	F2
H-5256	Max 7	52-56	Max 40	42	100	F2
H-5660	Max 7	56-60	Max 40	48	100	F2
H-6064	Max 7	60-64	Max 40	-	100	F2
H-6470	Max 7	64-70	Max 40	-	100	F2
H-7076	Max 7	70-76	Max 40	-	100	F2
H-7682	Max 7	76-82	Max 40	-	100	F2
H-8288	Max 7	82-88	Max 40	-	100	F2
H-8894	Max 7	88-94	Max 40	-	100	F2
H-94100	Max 7	94-100	Max 40	-	100	F2



Catalogue No.	T (mm)	Ø (mm)	A (mm)	F
LM-38	3-5	6-16	46	F8
LM-811	5-8	3-10	-	F8
	8-9	7-20	46	F8
	10-11	7-12	-	F8



Catalogue No.	T (mm)	A (mm)	B (mm)	C (mm)	F
GH-310	3-10	52	16	10	F8
GH-1018	10-18	52	16	10	F8