

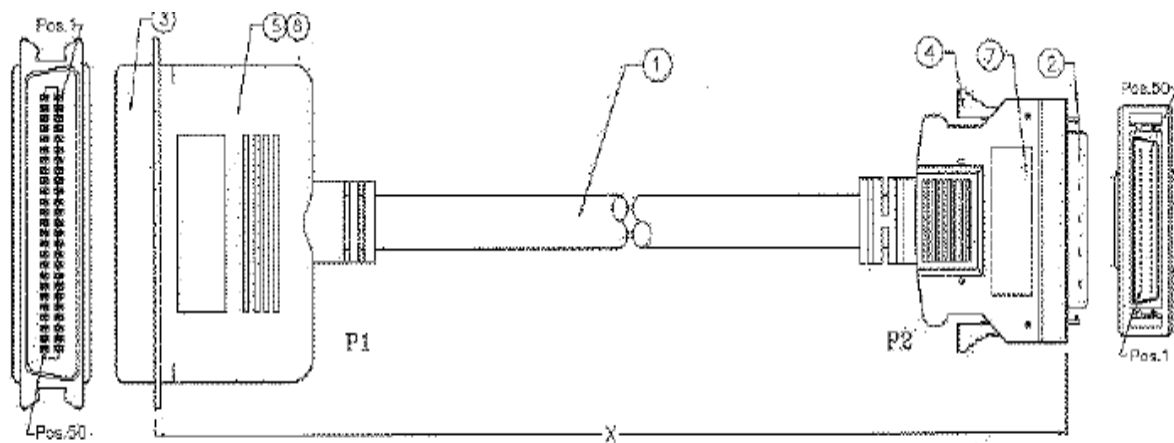
Datasheet

2m Male SCSI I to Male SCSI II SCSI Cable Assembly, Clip

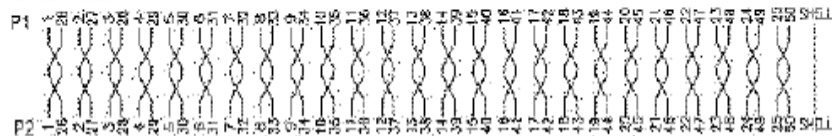
Stock Number: 287-9577



Connector A	Male SCSI I
Connector B	Male SCSI II
Fastener Type	Clip
Length	2m
Sheath Colour	Beige



PIN ASSIGNMENT:



Specifications:

Shielding	100% of Mylar Foil
Current Rating	2A max.
Operating voltage	300V max.
Temperature Rating	50°C
Contact Resistance	15m ohm max.
Mating Cycles	500