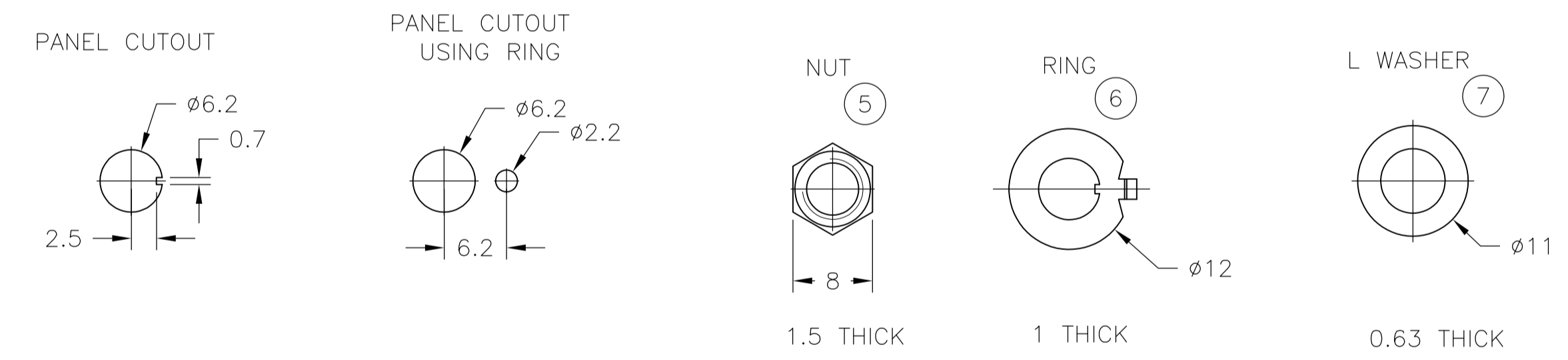
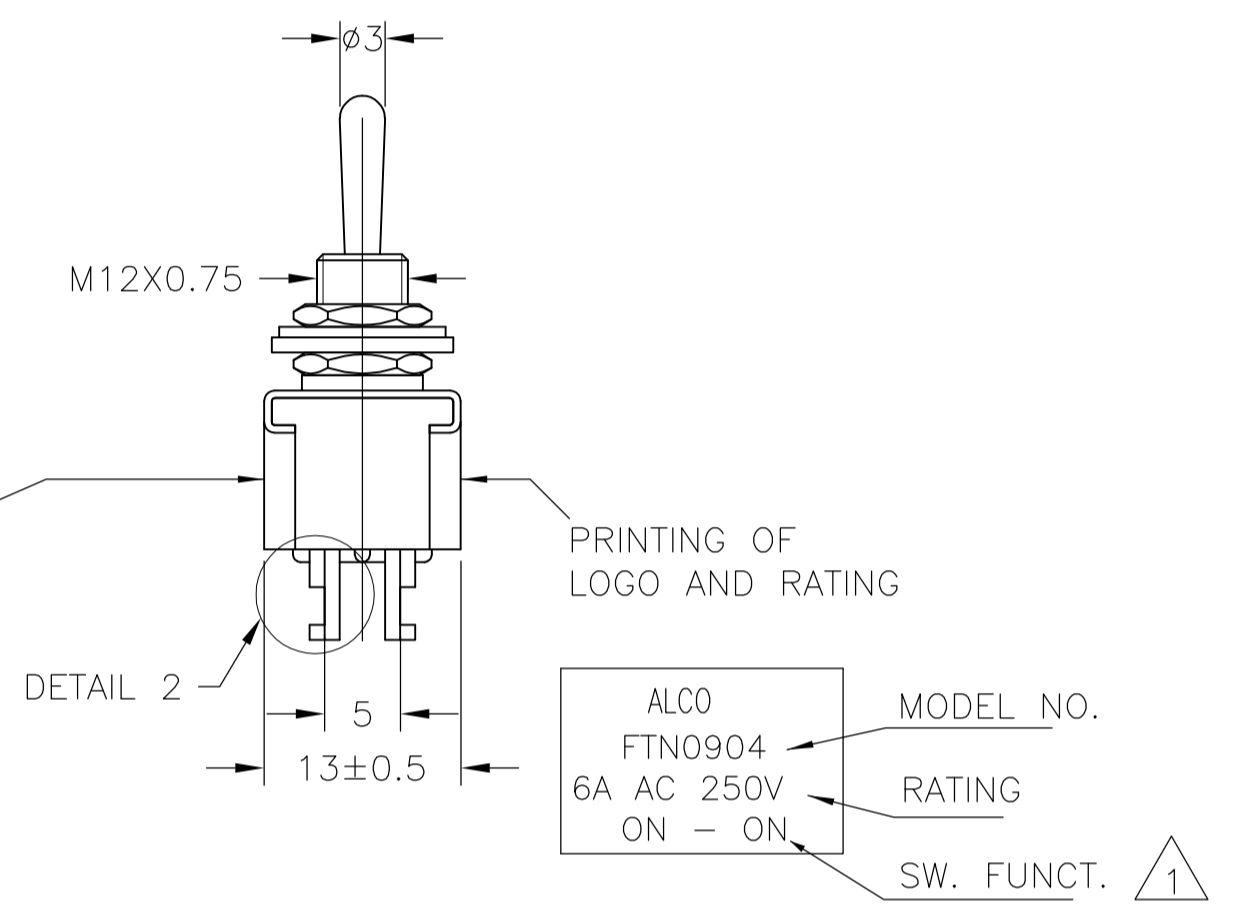


FUNCTION CHART					
TE PN	PART	TERMINALS 1 AND 2 4 AND 5	TERMINALS 1 AND 2 5 AND 6	TERMINALS 2 AND 3 4 AND 5	TERMINALS 2 AND 3 5 AND 6
4-6437630-5	FTPA0904	ON	OFF	ON	ON
4-6437630-2	FTN0904	ON	NONE		ON
4-6437630-4	FTR0904	ON	NONE		(ON)
4-6437630-6	FTP0904	ON	OFF		ON
4-6437630-1	FTT0904	ON	OFF		(ON)
4-6437630-3	FTS0904	(ON)	OFF		(ON)
6-6437630-8	FTN09G04	ON	NONE		ON

(ON): MOMENTARY ACTION
OFF: MECHANICAL POSITION WITHOUT ELECTRICAL CONNECTION
NONE: NO MECHANICAL POSITION

DATE CODE PRINTING LAST DIGIT OF YEAR
A-L = JANUARY TO DECEMBER DAY



- 1 0.5VA NO SWITCH FUNCTION WILL BE MARKED BUT WILL BE MARKED GOLD CON
- 2 OPERATING TEMPERATURE -20°C TO +70°C
- 3 ALL MATERIALS AND FINISHES COMPLY WITH RoHS DIRECTIVE



C3602BD Ep-Cu/Ni3,Au1b	C3602BD Ep-Cu/Ni3,Au1b	6-6437630-8	FTN09G04	20V AC/DC 0.4 VA MAX	MAX 10 MILLIOHMS AT DC 2~4V 0.1A	MIN 1000 M Ohms AT DC 500V	AC 1KV/1 Min (AC 1.2KV/1 SEC)	ELECTRICALLY 50,000 CYCLES AT 20 CYCLES/MIN (RATED LOAD RESISTIVE) MECHANICALLY 100,000 CYCLES AT 20 CYCLES/MIN
99.8% Silver + C3602BD Ep-Cu/Ni3,AuFb	C3602BD Ep-Cu/Ni3,AuFb	4-6437630-5 4-6437630-2 4-6437630-6 4-6437630-3	FTPA0904 FTN0904 FTR0904 FTS0904	AC 125V 6A AC 250V 6A	MAX 10 MILLIOHMS AT DC 2~4V 1A	MIN 1000 M Ohms AT DC 500V	AC 1KV/1 Min (AC 1.2KV/1 SEC)	ELECTRICALLY 30,000 CYCLES AT 20 CYCLES/MIN (RATED LOAD RESISTIVE) MECHANICALLY 50,000 CYCLES AT 20 CYCLES/MIN
		4-6437630-4 4-6437630-1	FTR0904 FTT0904	AC 125V 6A AC 250V 6A	MAX 10 MILLIOHMS AT DC 2~4V 1A	MIN 1000 M Ohms AT DC 500V	AC 1KV/1 Min (AC 1.2KV/1 SEC)	ELECTRICALLY 30,000 CYCLES AT 20 CYCLES/MIN (RATED LOAD RESISTIVE) MECHANICALLY 50,000 CYCLES AT 20 CYCLES/MIN
F CONTACT	COMMON	TE PN	PART	RATING	INITIAL CONTACT RESISTANCE	INSULATION RESISTANCE	DIELECTRIC STRENGTH	ENDURANCE
CONTACT MATERIAL								
SPECIFICATIONS								

MATERIALS CHART			
Ep-Fe/Cu2,Ni4b	SK-5	L WASHER	7
Ep-Fe/Cu2,Ni3b	SPCC	RING	6
Ep-Cu/Ni3b	C3602BD	NUT	5
Ep-Cu/Ni3,Cr1b	C3602BD	ACTUATOR	4
Ep-Cu/Ni3b	C3602BD	BUSHING	3
	SUS	FRAME	2
	POLYESTER RESIN	CASE	1
OPTIONAL DESCRIPTION	MATERIAL/SURFACE	PART NAME	PART NO

PART LIST	
THIS DRAWING IS A CONTROLLED DOCUMENT.	DIN RAGHAVENDRA 02AUG10
	CHK MICHAEL WILBOURN 02AUG10
	APPD MICHAEL WILBOURN 02AUG10
	NAME PRODUCT SPEC
	APPLICATION SPEC
	SIZE CASE CODE DRAWING NO
MATERIAL FINISH	WEIGHT A1 00779 1968511
	CUSTOMER DRAWING SCALE 1:1 SHEET 1 OF 1 REV A1