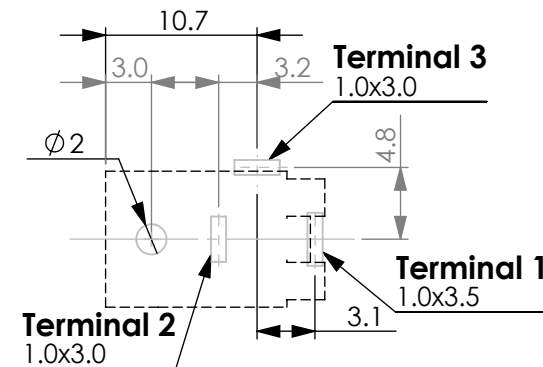
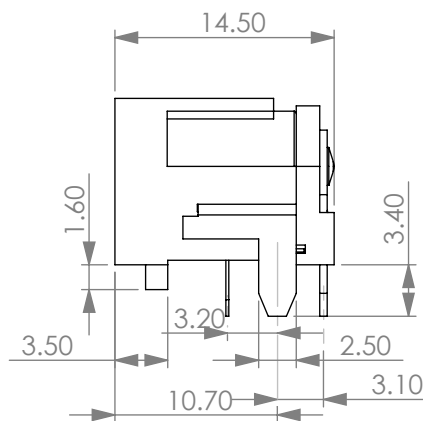
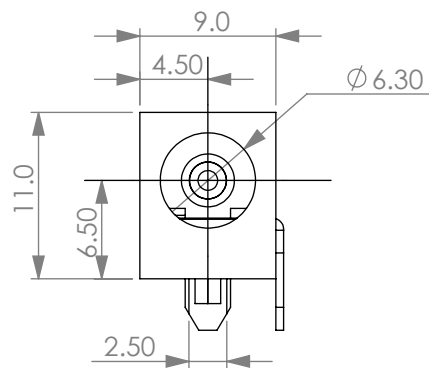
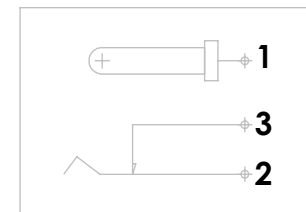


SCHEMATIC



RECOMMENDED P.C.B. LAYOUT (BOTTOM VIEW)



6	Center Pin	Copper	Nickel Ptd.	1
5	Housing	PA6T		1
4	Terminal 3	Brass	Silver Ptd.	1
3	Terminal 2	Copper	Silver Ptd.	1
2	Terminal 1	Brass	Silver Ptd.	1
1	Back Base	PA6T		1
No.	Description	Material	Treat	Q'ty

Specifications rating :

16V DC 2.5A MAX

contact resistance :

50mΩ MAX

insulation resistance :

MIN 50MΩ at 500V DC

voltage withstand :

500V AC, 1 minute

品名: ITEM :	2.1 X 5.5 DC SOCKET		一般公差	SHEET:	單位: unit:	mm	日期: date:	'07/01/23	繪圖: drwn by:	DanielShyr
料號: PART NO.	487-848	圖號: DRW NO.	.X +/-0.25 .XX +/-0.10	1 1	比例: scale:	2 : 1	版本: version:	V. 1.0	核准: aprId by:	SkyShyr