

Datasheet

RS Pro Female UNC 4-40 Screwlock For Use With D Connector

RS Stock No: **453-886**



Product Details

RS Pro female screwlock comes with UNC 4-40 sized thread. It is suitable for use with D connector. This screwlock has nickel finishing for added durability.

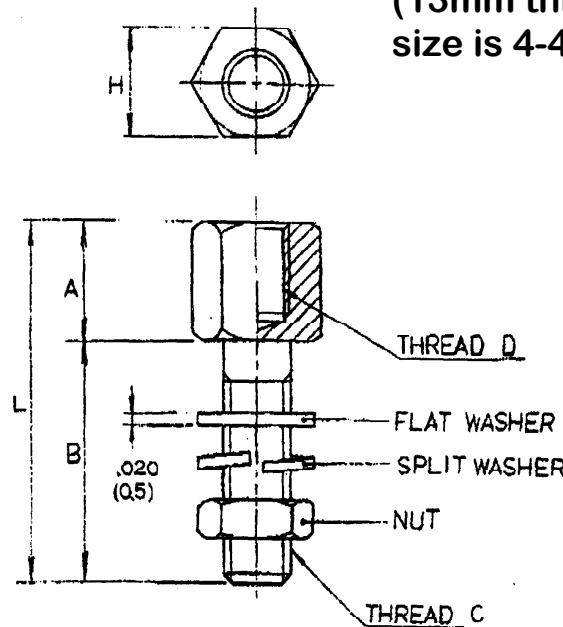
Features and Benefits

- Female
- UNC 4-40 size
- 8 mm screw length

Specifications:

Connector Type	D Connector
Finish	Nickel
For Use With	D Connector
Screw Length	8 mm
Screwlock Gender	Female
Thread Size	#4-40 UNC
Type	Screwlock

Assemblies for 'D' connectors in two sizes: female (8mm thread length) and female (13mm thread length) Thread size is 4-40 UNC



L ±.020 (±0.5)	A ±.020 (±0.5)	B ±.020 (±0.5)	H	THREAD C	THREAD D
.50 (12.7)	.189 (4.8)	.311 (7.9)	.189 (4.8)	#4-40UNC-2A	#4-40UNC-2B
.70 (17.8)	.189 (4.8)	.512 (13.0)	.189 (4.8)	#4-40UNC-2A	#4-40UNC-2B