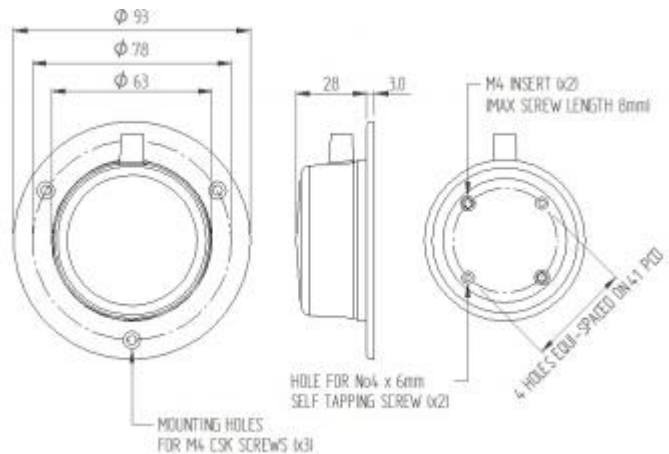


Datasheet

Foot Switch Bellows for IPx7 Foot Switch

RS Stock number 335-353



Description

Foot Switch

A neat and compact hand or foot operated switch made from tough flexible PVC double insulated with a wide choice of colours. Available with plastic base plate for permanent fixing and offers contact and switching options.

- Ideal for hand or foot operation
- IP67 double insulated
- 2 metre cable included
- Tough flexible cover
- Choice of colours
- Change over contact variant
- Available with plastic base plates for added stability or permanent fixing or additionally with anti-slip rubber or foam pads

Specifications

Accessory Type:	Bellow
For use with:	IPX7 Plastic Foot Switch
Operating temperature range:	-5°C to + 40 °C
Body material:	Thermoplastic
Weight:	0.25 kg