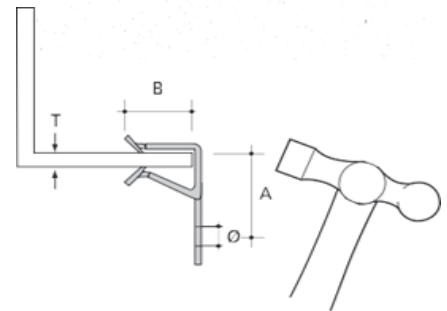
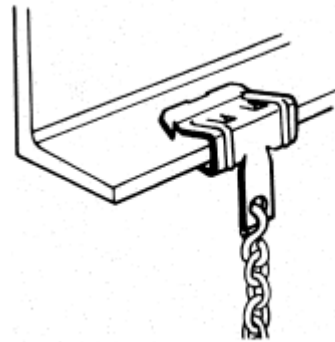


## Datasheet

# Steel Girder Suspension Clip & Hanger, 8 → 14 mm

RS Stock number [277503](#)



### Description

- Chain/Wire Hangers
- Either horizontal flange or vertical flange

### Specification

- |                            |            |
|----------------------------|------------|
| • Flange Orientation       | Horizontal |
| • Flange Thickness         | 8 → 14 mm  |
| • Flange Thickness Maximum | 14mm       |
| • Flange Thickness Minimum | 8mm        |
| • Material                 | Steel      |
| • Maximum Load             | 90kg       |

### Measurements

- |                 |        |
|-----------------|--------|
| • T             | 8-14mm |
| • $\varnothing$ | 6.5mm  |
| • A             | 26mm   |
| • B             | 20.3mm |