

Datasheet

## RS Pro Steel Girder Threaded Rod Clip & Hanger, 1.5 to 5 mm, M6

RS Stock No: **277-345**



### Product Details

RS Pro flange with M6 thread size, has vertical orientation. This 1.5 to 5 mm clip-on flange made of durable steel, can withstand a maximum load of up to 68 kg.

### Features and Benefits

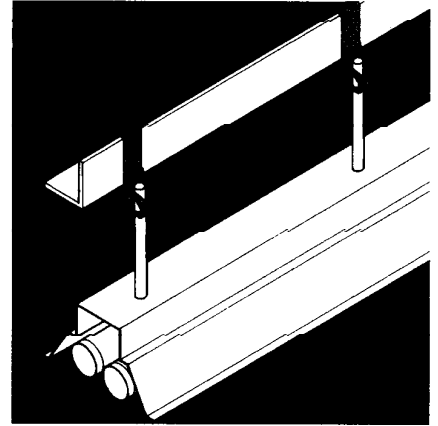
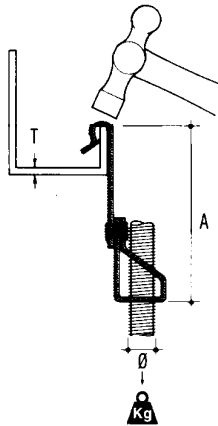
- Vertical flange orientation
- M6 thread size
- Steel construction



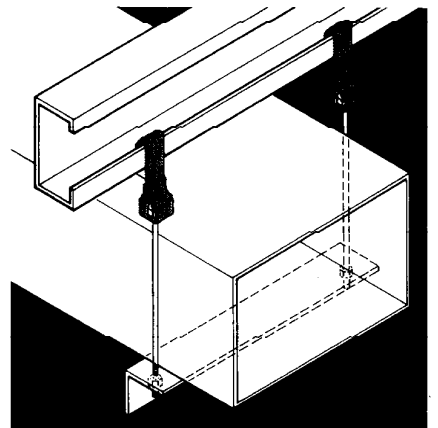
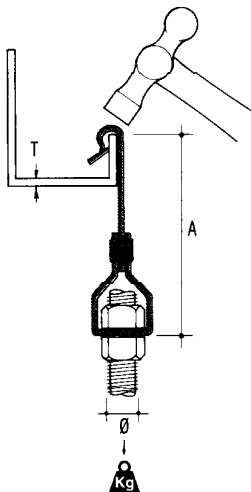
**Specifications:**

Flange Orientation	Vertical
Flange Thickness Maximum	5 mm
Flange Thickness Minimum	1.5 mm
Flange Thickness	1.5 to 5 mm
Material	Steel
Maximum Load	68 kg
Thread Size	M6

Catalogue No.	T (mm)	Ø (mm)	A (mm)	kg	F
AV155-AM127	1.5-5	12.7	70	68	F8
AV155-AM6T	1.5-5	M6	70	68	F8
AV155-AM8T	1.5-5	M8	70	68	F8
AV155-AM10T	1.5-5	M10	70	68	F8
AV57-AM127	5-7	12.7	70	68	F8
AV57-AM6T	5-7	M6	70	68	F8
AV57-AM8T	5-7	M8	70	68	F8
AM57-AM10T	5-7	M10	70	68	F8



Catalogue No.	T (mm)	Ø (mm)	A (mm)	kg	F
AV155-YM127	1.5-5	12.7	72	72	F8
AV57-YM127	5-7	12.7	72	72	F8



Catalogue No.	T (mm)	Ø (mm)	kg	F
AV155-BM4	1.5-5	4	72	F8
AV155-BM6	1.5-5	6	72	F8
AV155-BM8	1.5-5	8	72	F8
AV155-BM10	1.5-5	10	72	F8
AV57-BM4	5-7	4	72	F8
AV57-BM6	5-7	6	72	F8
AV57-BM8	5-7	8	72	F8
AV57-BM10	5-7	10	72	F8

